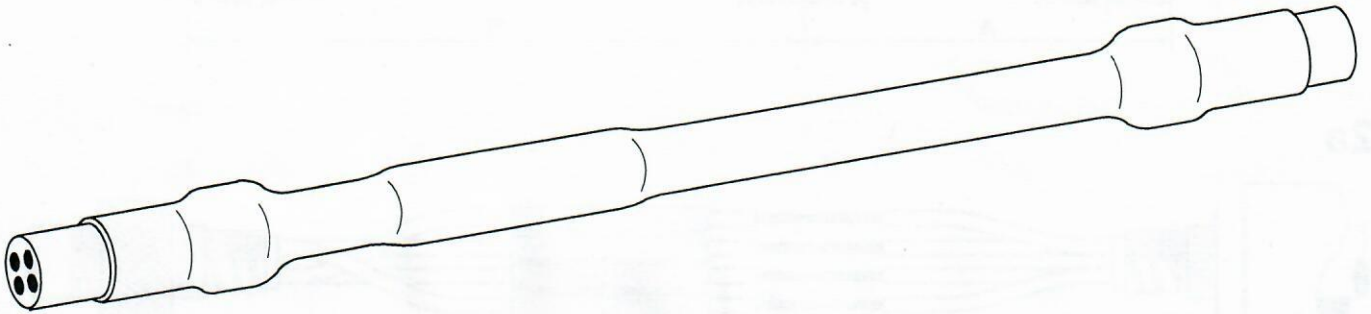


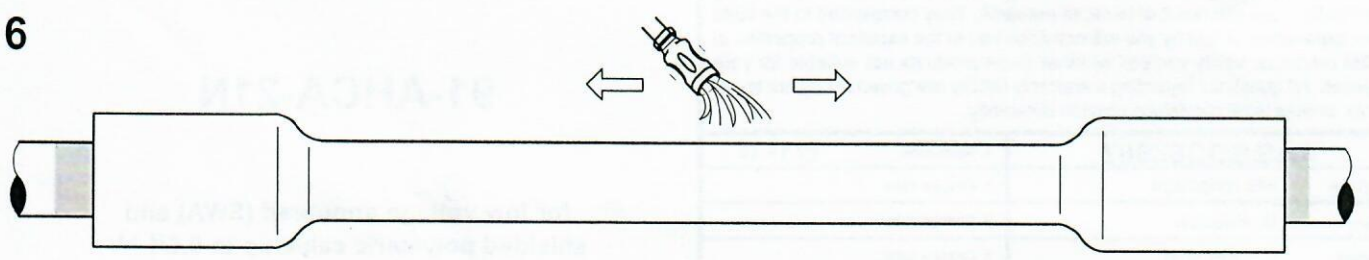
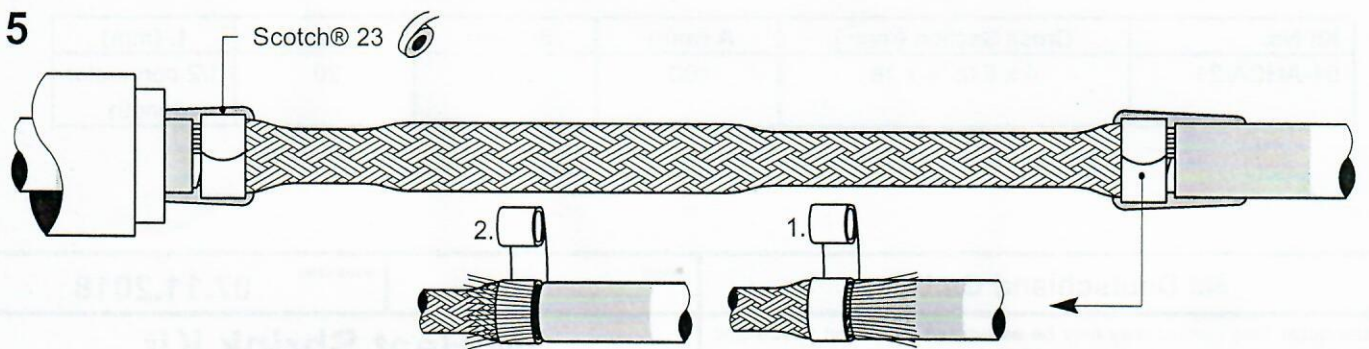
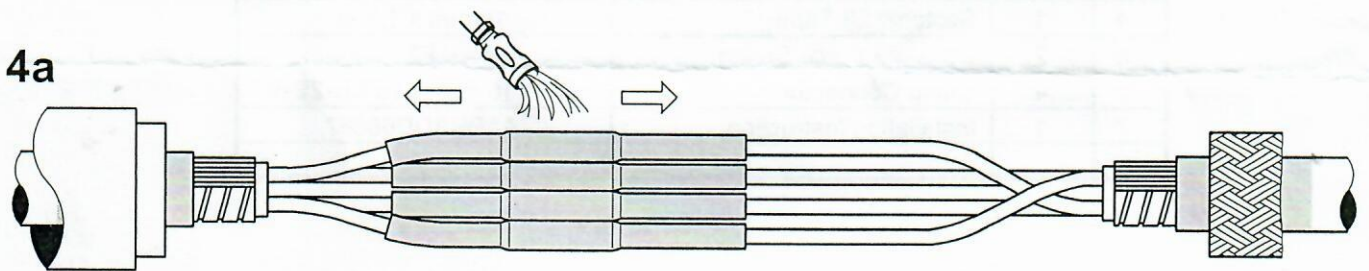
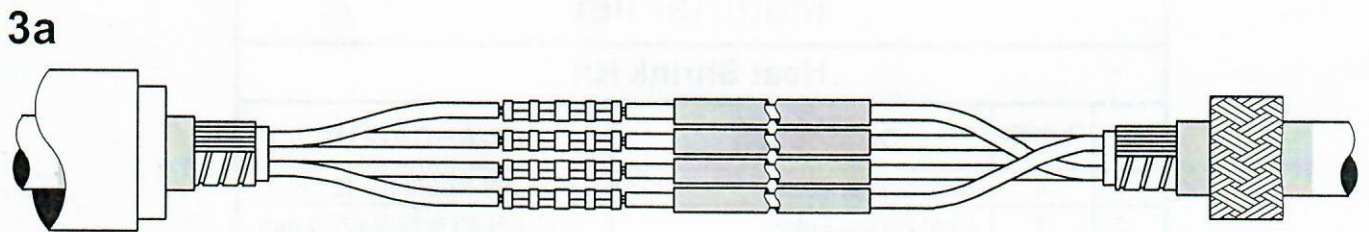
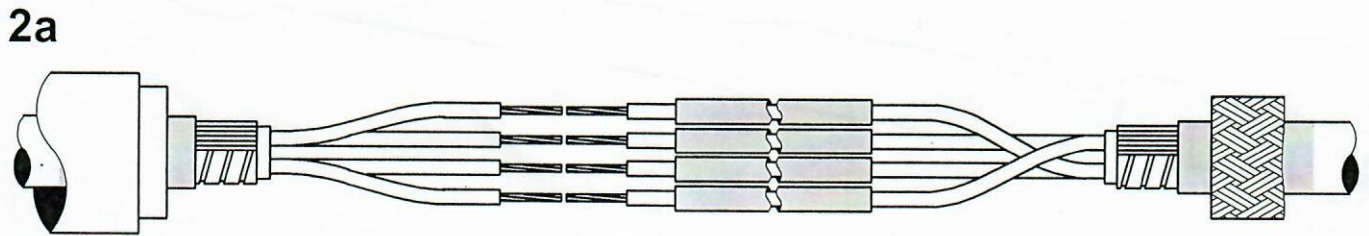
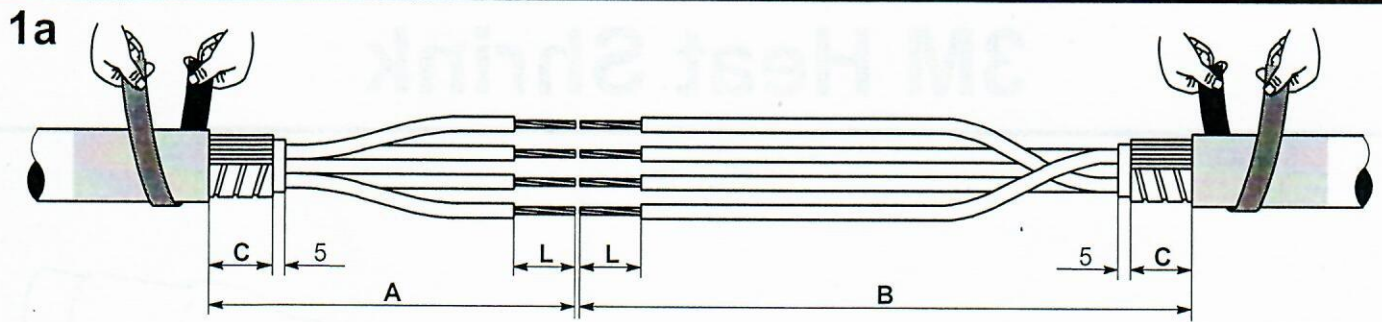
3M Heat Shrink



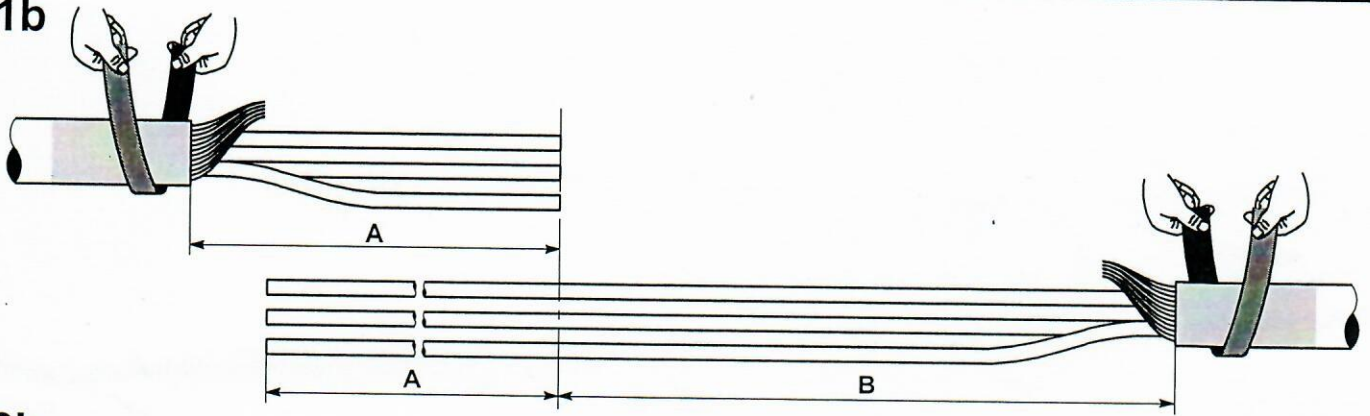
Material list			
Heat Shrink Kit			
No	Quantity	Description	91-AHCA-21N
1	4	Heat Shrink Tube	HDT-AN 12.0/3.0 - 125 mm
2	1	Heat Shrink Tube	HDT-AN 43.0/12.0 - 500 mm
3	1	Shielding Socket	25 mm ² x 520 mm
4	1	Scotch® 23 Tape	19 mm x 1,5 m
5	2	Constant Force Spring	F2
6	4	Crimp Connector	GPH 10 mm ² / 10 KU-ZE-V
7	1	Installation Instruction	AABBDD68667

Kit No.	Cross Section (mm ²)	A (mm)	B (mm)	C (mm)	L (mm)
91-AHCA-21	4 x 6 to 4 x 16	100	190	20	1/2 connector length

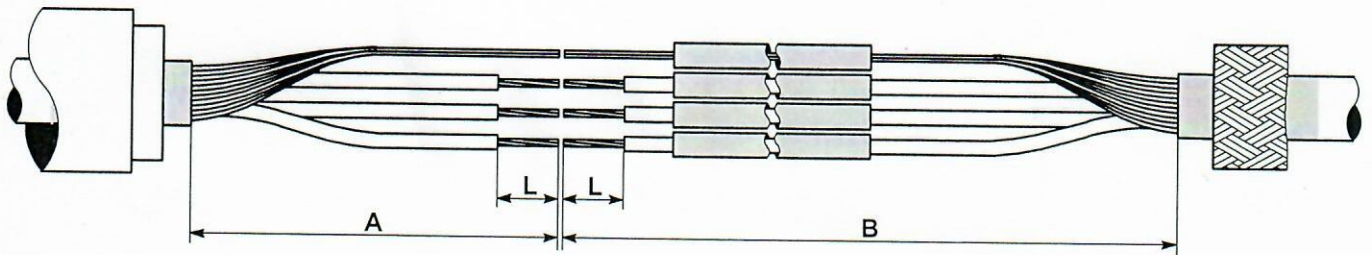
3M Deutschland GmbH		Issue:	1	Issue date:	07.11.2018
<p>Please note: This product may only be assembled by trained specialized personnel according to these assembly instructions. The preceding specifications are the result of in-depth research. They correspond to the state of our experience. A test by you will convince you of the excellent properties of the 3M products. Verify yourself whether these products are suitable for your purposes. All questions regarding a warranty liability are governed by our terms of sale, unless legal provisions provide differently.</p>		<h2>3M Heat Shrink Kit</h2> <h3>91-AHCA-21N</h3> <p>for low voltage armoured (SWA) and shielded polymeric cable up to 0.6/1 kV</p>			
AABBDD68667		1. Issue date: 07.11.18			
Language: w/o language		1. Change date:			
Drawn: M. Hubrich		2. Change date:			
Checked: G. Lohmeier		3. Change date:			
		4. Change date:			
3M Electrical Products		XE-0091-4321-7			



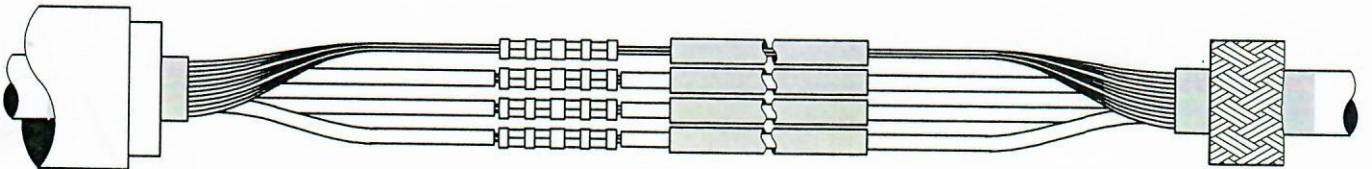
1b



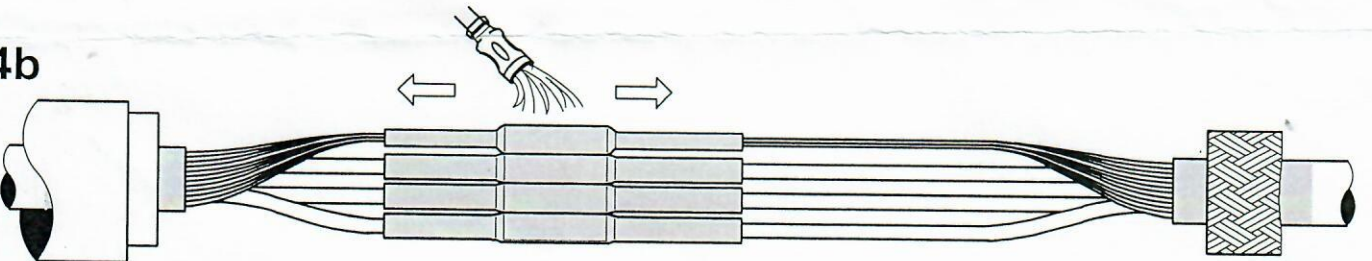
2b



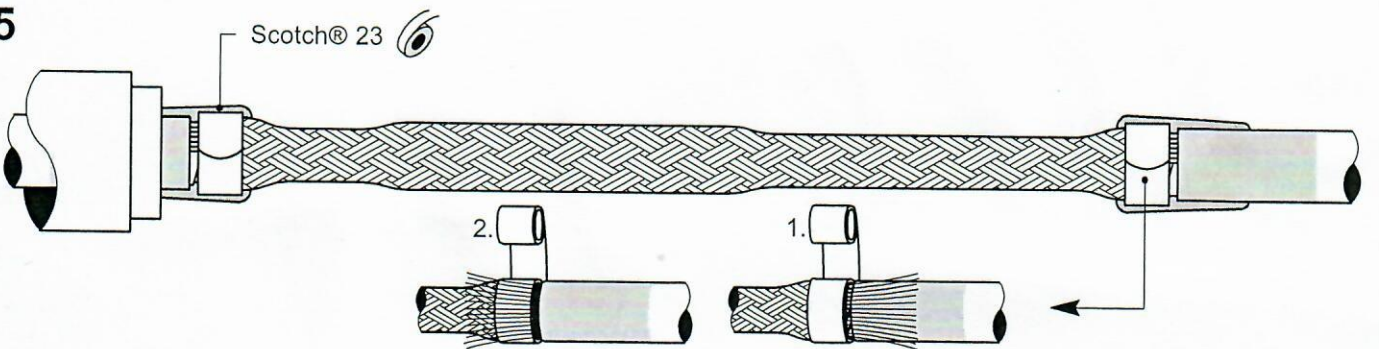
3b



4b



5



6

