

AMV-C



Steck-Endverschlüsse / Prises de courant

Interface C, 12...42 kV

	Legende	Légende
A	Anzahl Lagen	Nombre de couches
B	Bildreferenz	Image de référence
BK (N)	Bruchkraft	Force de rupture
C	Katalogseite	Page du catalogue
EP	Verkaufseinheit, Einheitspackung	Unité de vente, unité d'emballage
Fr./Set	Preis pro Verpackungseinheit	Prix par emballage
Fr./Stk	Preis pro Stk	Prix par pièce
I (A)	Nennstrom	Courant nominal
Ik (kA)	Kurzschlussstrom	Courant de court-circuit
IN (kA)	Nennableitstrom	Courant nominal de terre
KT	Kabeltyp	Type du câble
L (mm)	Länge	Longueur
mm ²	Leiterquerschnitt	Section du conducteur
mm ² (12 kV)	Leiterquerschnitt für 12 kV Kabel	Section du conducteur pour câble 12 kV
mm ² (24 kV)	Leiterquerschnitt für 24 kV Kabel	Section du conducteur pour câble 24 kV
mm ² (Cu & Al)	Leiterquerschnitt Cu & Al	Section du conducteur Cu & Al
MST(mm)	Schnittiefe	Profondeur de coupe
Ø (mm)	Durchmesser	Diamètre
Preis	Verkaufspreis	Prix de vente
Ref.	Nexans Referenznummer	Numéro de référence Nexans
Ref. EAN	EAN-Referenznummer	Numéro de référence EAN
Stk/EP	Anzahl pro Einheitspackung	Nombre de pièces par emballage
T	Typ Kabelgarnitur	Type d'accessoire
U _{max} (kV)	Max. Betriebsspannung	Tension de service max.
U (kV)	Betriebsspannung	Tension nominale
U _c (kV eff)	Dauerbetriebsspannung	Tension de service permanente
U (mm)	Bündelumfang	Circonférence de l'assemblage
U _B (mm)	Bündelumfang bei Bündelanordnung	Circonférence pour assemblage en paquet
U _L (mm)	Bündelumfang bei Lagenanordnung	Circonférence pour assemblage à plat (couché)
Nm	Drehmoment	Couple de serrage

NEXANS APP

Nexans E-Katalog auf Natel oder Tablet / E-catalogue Nexans sur téléphone cellulaire ou tablette



Android OS



Apple OS

Alle Zeichnungen, Designs, Spezifikationen und Pläne sowie die in den technischen oder kommerziellen Dokumenten von Nexans enthaltenen Einzelheiten in Bezug auf Gewicht, Grösse und Abmessungen dienen ausschliesslich zur unverbindlichen Information, für die Nexans in keiner Weise haftbar gemacht werden kann.

Tous les schémas, dessins, spécifications, plans et détails de poids, tailles et dimensions figurant dans la documentation technique ou commerciale de Nexans ont un caractère purement indicatif et ne sauraient engager Nexans ou être traités comme constitutifs d'une représentation de la part de Nexans.

Kontakt / Contact

Nexans Suisse SA CH-2016 Cortaillod ☎ +41 (0)32 843 55 55 ✉ mv_lvpoweraccessories.ch@nexans.com

Inhaltsverzeichnis	Table des matières	Seite / Page
T-Steckendverschlüsse	<i>Prises de courant forme T</i>	480TB AMV-C 5
TT-Steckendverschlüsse	<i>Prises de courant forme TT</i>	800PB AMV-C 6
T-Steckendverschlüsse	<i>Prises de courant forme T</i>	484TB AMV-C 7
TT-Steckendverschlüsse	<i>Prises de courant forme TT</i>	804PB AMV-C 8
Überspannungsableiter	<i>Parafoudre</i>	800SA AMV-C 9
T-Steckendverschlüsse	<i>Prises de courant forme T</i>	430TB AMV-C 10
Überspannungsableiter	<i>Parafoudre</i>	300SA AMV-C 11
Kupplungsadapter	<i>Accouplement</i>	AMV-C 12
Spannungsfeste Abschlusskappe	<i>Capuchon isolant</i>	AMV-C 12
Isolierabschluss	<i>Plot isolant fixe</i>	AMV-C 13
Erdanschluss	<i>Plot de mise à terre</i>	AMV-C 13
Prüfadapter	<i>Equipement d'essai</i>	AMV-C 14
Notizen	<i>Notes</i>	AMV-C 15
Datenblätter	<i>Fiches techniques</i>	480TB AMV-C 16
Datenblätter	<i>Fiches techniques</i>	484TB AMV-C 17
Datenblätter	<i>Fiches techniques</i>	800PB AMV-C 18
Datenblätter	<i>Fiches techniques</i>	804PB AMV-C 19
Datenblätter	<i>Fiches techniques</i>	450SR AMV-C 20
Datenblätter	<i>Fiches techniques</i>	800SA AMV-C 21
Datenblätter	<i>Fiches techniques</i>	AMV-C 22
Datenblätter	<i>Fiches techniques</i>	400TB AMV-C 23
Datenblätter	<i>Fiches techniques</i>	440TB AMV-C 24
Datenblätter	<i>Fiches techniques</i>	400SA AMV-C 25
Datenblätter	<i>Fiches techniques</i>	AMV-C 26
Datenblätter	<i>Fiches techniques</i>	AMV-C 27
Datenblätter	<i>Fiches techniques</i>	AMV-C 28
Datenblätter	<i>Fiches techniques</i>	AMV-C 29
Datenblätter	<i>Fiches techniques</i>	AMV-C 30
Datenblätter	<i>Fiches techniques</i>	AMV-C 31
Datenblätter	<i>Fiches techniques</i>	AMV-C 32
Datenblätter	<i>Fiches techniques</i>	AMV-C 33
Datenblätter	<i>Fiches techniques</i>	AMV-C 34

T-STECKENDVERSCHLUSS 630 A (1250 A), 480TB
PRISE DE COURANT FORME T 630 A (1250 A), 480TB

AMV-C 5

Für Polymerkabel, berührungssiche, Maximalequerschnitt - Querschnittbereich des Leiter: 25 bis 300mm²
 Pour câbles à isolation synthétique, protection contre les contacts - Plage de section du conducteur: 25 à 300mm²



A

B

Kabeltyp / Type de câbles

XKDT, XKT, GKT

N2X(H)S(F)2Y, NA2X(H)S(F)(2)Y

B	T	mm ² (Cu & AL)	∅ isol (mm)	U (kV)	Stk/EP	Ref.
A	AMV-C-K480TBG-15/025-095S(3)	25...95	16.0...26.5	24	3	10537344
A	AMV-C-K480TBG-21/095-300S(3)	95...300	22.0...34.6	24	3	10537347
A	AMV-C-M480TBG-21/025-095S(3)	25...95	16.0...26.5	36	3	10537350
A	AMV-C-M480TBG-27/095-300S(3)	95...300	28.5...37.5	36	3	10537353

Kabeltyp / Type de câbles

XDCuT, XDAIT

N2XHS(FL)2Y, NA2XHS(FL)2Y, XDMZ, XDAIZ, XDCuN

B	T	mm ² (Cu & AL)	∅ isol (mm)	U (kV)	Stk/EP	Ref.
B	AMV-C-K480TBGE-15/025-095S(3)	25...95	16.0...26.5	24	3	10538797
B	AMV-C-K480TBGE-21/095-300S(3)	95...300	22.0...34.6	24	3	10538798
B	AMV-C-M480TBGE-21/025-095S(3)	25...95	16.0...26.5	36	3	10559124
B	AMV-C-M480TBGE-27/095-300S(3)	95...300	28.5...37.5	36	3	10559126

Kontakt / Contact

Nexans Suisse SA CH-2016 Cortaillod ☎ +41 (0)32 843 55 55 ✉ mv_lvpoweraccessories.ch@nexans.com

06.2020 © Nexans

Nexans

TT-STECKENDVERSCHLUSS 630 A (1250 A), 800PB
PRISE DE COURANT FORME TT 630 A (1250 A), 800PB

AMV-C 6

Für Polymerkabel, berührungssicher, Maximale Querschnitt - Querschnittsbereich des Leiter: 25 bis 300mm²
 Pour câbles à isolation synthétique, protection contre les contacts - Plage de section du conducteur: 25 à 300mm²



A

B

Kabeltyp / Type de câbles

XKDT, XKT, GKT

N2X(H)S(F)2Y, NA2X(H)S(F)(2)Y

B	T	mm ² (Cu & AL)	∅ isol (mm)	U (kV)	Stk/EP	Ref.
A	AMV-C-K800PBG-15/025-095S(3)	25...95	16.0...26.5	24	3	10538794
A	AMV-C-K800PBG-21/095-300S(3)	95...300	22.0...34.6	24	3	10538795
A	AMV-C-M800PBG-21/025-095S(3)	25...95	22.0...34.6	36	3	
A	AMV-C-M800PBG-27/095-300S(3)	95...300	28.5...37.5	36	3	

Kabeltyp / Type de câbles

XDCuT, XDAIT

N2XHS(FL)2Y, NA2XHS(FL)2Y, XDMZ, XDAIZ, XDCuN

B	T	mm ² (Cu & AL)	∅ isol (mm)	U (kV)	Stk/EP	Ref.
B	AMV-C-K800PBGE-15/025-095S(3)	25...95	16.0...26.5	24	3	10537354
B	AMV-C-K800PBGE-21/095-240S(3)	95...300	22.0...34.6	24	3	10537356
B	AMV-C-M800PBGE-21/025-095S(3)	25...95	22.0...34.6	36	3	
B	AMV-C-M800PBGE-27/095-240S(3)	95...300	28.5...37.5	36	3	

Kontakt / Contact

Nexans Suisse SA CH-2016 Cortaillod ☎ +41 (0)32 843 55 55 ✉ mv_lvpoweraccessories.ch@nexans.com

06.2020 © Nexans

Nexans

T-STECKENDVERSCHLUSS 1250 A, 484TB
PRISE DE COURANT FORME T 1250 A, 484TB

AMV-C 7

Für Polymerkabel, berührungssicher, Maximalequerschnitt - Querschnittbereich des Leiter: 25 bis 630mm²
 Pour câbles à isolation synthétique, protection contre les contacts - Plage de section du conducteur: 25 à 630mm²



A

B

Kabeltyp / Type de câbles

XKDT, XKT, GKT

N2X(H)S(F)2Y, NA2X(H)S(F)(2)Y

B	T	mm ² (Cu & Al)	∅ isol (mm)	U (kV)	Stk/EP	Ref.
A	AMV-C-K484TBGC-15/025-050S(3)	25...50	16.0...22.0	24	3	10220302
A	AMV-C-K484TBGC-19/095-150S(3)	95...150	20.0...26.5	24	3	10220303
A	AMV-C-K484TBGC-22/150-240S(3)	150...240	23.5...31.0	24	3	10220354
A	AMV-C-K484TBGC-27/240-300S(3)	240...300	28.5...37.5	24	3	10220355
A	AMV-C-K484TBGC-32/400-500S(3)	400...500	34.0...42.5	24	3	10220356
A	AMV-C-K484TBGC-37/630S(3)	630	39.0...48.5	24	3	10220357
A	AMV-C-M484TBGC-19/025-050S(3)	25...50	20.0...26.5	36	3	10220358
A	AMV-C-M484TBGC-22/050-150S(3)	50...150	23.5...31.0	36	3	10220359
A	AMV-C-M484TBGC-27/185-300S(3)	185...300	28.5...37.5	36	3	10220361
A	AMV-C-M484TBGC-27/240S(3)	240	28.5...37.5	36	3	10220533
A	AMV-C-M484TBGC-37/400-630S(3)	400...630	39.0...48.5	36	3	10220362

Kabeltyp / Type de câbles

XDCuT, XDAIT

N2XHS(FL)2Y, NA2XHS(FL)2Y, XDMZ, XDAIZ, XDCuN

B	T	mm ² (Cu & Al)	∅ isol (mm)	U (kV)	Stk/EP	Ref.
B	AMV-C-K484TBGCE-15/025-050S(3)	25...50	16.0...22.0	24	3	10220360
B	AMV-C-K484TBGCE-19/095-150S(3)	95...150	20.0...26.5	24	3	10220495
B	AMV-C-K484TBGCE-22/150-240S(3)	150...240	23.5...31.0	24	3	10220496
B	AMV-C-K484TBGCE-27/240-300S(3)	240...300	28.5...37.5	24	3	10220497
B	AMV-C-K484TBGCE-32/400-500S(3)	400...500	34.0...42.5	24	3	10220498
B	AMV-C-K484TBGCE-37/630S(3)	630	39.0...48.5	24	3	10220499
B	AMV-C-M484TBGCE-19/025-050S(3)	25...50	20.0...26.5	36	3	10220500
B	AMV-C-M484TBGCE-22/050-150S(3)	50...150	23.5...31.0	36	3	10220501
B	AMV-C-M484TBGCE-27/185-300S(3)	185...300	28.5...37.5	36	3	10220502
B	AMV-C-M484TBGCE-27/240S(3)	240	28.5...37.5	36	3	10220534
B	AMV-C-M484TBGCE-37/400-630S(3)	400...630	39.0...48.5	36	3	10220503

Kontakt / Contact

Nexans Suisse SA CH-2016 Cortaillod ☎ +41 (0)32 843 55 55 ✉ mv_lvpoweraccessories.ch@nexans.com

06.2020 © Nexans

Nexans

TT-STECKENDVERSCHLUSS 1250 A, 804PB
PRISE DE COURANT FORME TT 1250 A, 804PB

AMV-C 8

Für Polymerkabel, berührungssicher, Maximalequerschnitt - Querschnittbereich des Leiter: 25 bis 630mm²
 Pour câbles à isolation synthétique, protection contre les contacts - Plage de section du conducteur: 25 à 630mm²



A

B

Kabeltyp / Type de câbles

XKDT, XKT, GKT

N2X(H)S(F)2Y, NA2X(H)S(F)(2)Y

B	T	mm ² (Cu & Al)	∅ isol (mm)	U (kV)	Stk/EP	Ref.
A	AMV-C-K804PBG-15/025-050S(3)	25...50	16.0...22.0	24	3	10220395
A	AMV-C-K804PBG-19/095-150S(3)	95...150	20.0...26.5	24	3	10220396
A	AMV-C-K804PBG-22/150-240S(3)	150...240	23.5...31.0	24	3	10220397
A	AMV-C-K804PBG-27/240-300S(3)	240...300	28.5...37.5	24	3	10220398
A	AMV-C-K804PBG-32/400-500S(3)	400...500	34.0...42.5	24	3	10220399
A	AMV-C-K804PBG-37/630S(3)	630	39.0...48.5	24	3	10220400
A	AMV-C-M804PBG-19/025-050S(3)	25...50	20.0...26.5	36	3	10220401
A	AMV-C-M804PBG-22/050-150S(3)	50...150	23.5...31.0	36	3	10220402
A	AMV-C-M804PBG-27/185-300S(3)	185...300	28.5...37.5	36	3	10220434
A	AMV-C-M804PBG-27/240S(3)	240	28.5...37.5	36	3	10220535
A	AMV-C-M804PBG-37/400-630S(3)	400...630	39.0...48.5	36	3	10220435

Kabeltyp / Type de câbles

XDCuT, XDAIT

N2XHS(FL)2Y, NA2XHS(FL)2Y, XDMZ, XDAIZ, XDCuN

B	T	mm ² (Cu & Al)	∅ isol (mm)	U (kV)	Stk/EP	Ref.
B	AMV-C-K804PBGE-15/025-050S(3)	25...50	16.0...22.0	24	3	10220403
B	AMV-C-K804PBGE-19/095-150S(3)	95...150	20.0...26.5	24	3	10220524
B	AMV-C-K804PBGE-22/150-240S(3)	150...240	23.5...31.0	24	3	10220525
B	AMV-C-K804PBGE-27/240-300S(3)	240...300	28.5...37.5	24	3	10220526
B	AMV-C-K804PBGE-32/400-500S(3)	240...500	34.0...42.5	24	3	10220527
B	AMV-C-K804PBGE-37/630S(3)	630	39.0...48.5	24	3	10220528
B	AMV-C-M804PBGE-19/025-050S(3)	25...50	20.0...26.5	36	3	10220529
B	AMV-C-M804PBGE-22/050-150S(3)	50...150	23.5...31.0	36	3	10220530
B	AMV-C-M804PBGE-27/185-300S(3)	185...300	28.5...37.5	36	3	10220531
B	AMV-C-M804PBGE-27/240S(3)	240	28.5...37.5	36	3	10220536
B	AMV-C-M804PBGE-37/400-630S(3)	400...630	39.0...48.5	36	3	10220532

Kontakt / Contact

Nexans Suisse SA CH-2016 Cortaillod ☎ +41 (0)32 843 55 55 ✉ mv_lvpoweraccessories.ch@nexans.com

06.2020 © Nexans

Nexans

Berührungssicher / Protection contre les contacts



A

B	T	Ur (kV eff)	Uc (kV eff)	kA	Stk/EP	Ref.
A	AMV-C-800SA10/06(3)	6	4.8	10	3	10504423
A	AMV-C-800SA10/09(3)	9	7.2	10	3	10504424
A	AMV-C-800SA10/12(3)	12	9.6	10	3	10504425
A	AMV-C-800SA10/15(3)	15	12.0	10	3	10220184
A	AMV-C-800SA10/18(3)	18	14.4	10	3	10220185
A	AMV-C-800SA10/22(3)	22	17.6	10	3	10220186
A	AMV-C-800SA10/24(3)	24	19.2	10	3	10220187
A	AMV-C-800SA10/30(3)	30	24.0	10	3	10220188
A	AMV-C-800SA10/33(3)	33	26.4	10	3	10504427
A	AMV-C-800SA10/36(3)	36	28.8	10	3	10220189
A	AMV-C-800SA10/45(3)	45	36.0	10	3	10220190

Berührungssicher / Protection contre les contacts



A

Kabeltyp / Type de câbles

XKDT, XKT, GKT

N2X(H)S(F)2Y, NA2X(H)S(F)(2)Y

B	T	mm ² (Cu & Al)	Ø isol (mm)	U (kV)	Stk/EP	Ref.
A	AMV-C-K400TBG-15/025-095S(3)	25...95	16.0...26.5	24	3	10197014
A	AMV-C-K400TBG-21/095-300S(3)	95...300	22.0...34.6	24	3	10179612
A	AMV-C-M400TBG-21/025-095S(3)	25...95	22.0...34.6	36	3	10209879
A	AMV-C-M400TBG-27/095-300S(3)	95...300	28.5...37.5	36	3	10153741
A	AMV-C-K440TBG-32/400-500S(3)	400...500	34.0...42.5	24	3	10164273
A	AMV-C-K440TBG-37/630S(3)	630	39.0...48.5	24	3	10545191
A	AMV-C-M440TBG-27/185-300S(3)	185...300	28.5...37.5	36	3	
A	AMV-C-M440TBG-27/240S(3)	240	28.5...37.5	36	3	
A	AMV-C-M440TBG-37/400-630S(3)	400...630	39.0...48.5	36	3	

Kabeltyp / Type de câbles

XDCuT, XDAIT

N2XHS(FI)2Y, NA2XHS(FI)2Y, XDMZ, XDAIZ, XDCuN

B	T	mm ² (Cu & Al)	Ø isol (mm)	U (kV)	Stk/EP	Ref.
B	AMV-C-K400TBGE-15/025-050S(3)	25...95	16.0...26.5	24	3	10510456
B	AMV-C-K400TBGE-21/095-300S(3)	95...300	22.0...34.6	24	3	10510459
B	AMV-C-M400TBGE-21/025-095S(3)	25...95	22.0...34.6	36	3	
B	AMV-C-M400TBGE-27/095-300S(3)	95...300	28.5...37.5	36	3	
B	AMV-C-K440TBGE-27/240-300S(3)	240...300	28.5...37.5	24	3	
B	AMV-C-K440TBGE-32/400-500S(3)	400...500	34.0...42.5	24	3	
B	AMV-C-K440TBGE-37/630S(3)	630	39.0...48.5	24	3	
B	AMV-C-M440TBGE-27/185-300S(3)	185...300	28.5...37.5	36	3	
B	AMV-C-M440TBGE-27/240S(3)	240	28.5...37.5	36	3	
B	AMV-C-M440TBGE-37/400-630S(3)	400...630	39.0...48.5	36	3	

Berührungssicher / Protection contre les contacts accidentels



A

BT	Ur (kV eff)	Uc (kV eff)	kA	Stk/EP	Ref.
AAMV-C-400SA10/06N(3)	6	4.8	10	3	
AAMV-C-400SA10/09N(3)	9	7.2	10	3	
AAMV-C-400SA10/12N(3)	12	9.6	10	3	
AAMV-C-400SA10/15N(3)	15	12.0	10	3	
AAMV-C-400SA10/18N(3)	18	14.4	10	3	
AAMV-C-400SA10/22N(3)	22	17.6	10	3	
AAMV-C-400SA10/24N(3)	24	19.2	10	3	10501940
AAMV-C-400SA10/27N(3)	27	21.6	10	3	10501791
AAMV-C-400SA10/30N(3)	30	24.0	10	3	
AAMV-C-400SA10/33N(3)	33	26.4	10	3	
AAMV-C-400SA10/36N(3)	36	28.8	10	3	
AAMV-C-400SA10/45N(3)	45	36.0	10	3	

KUPPLUNGSADAPTER ACCOUPLMENT

AMV-C 12

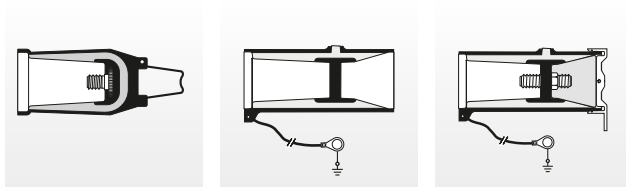
Für Kombinationen / Pour combinaisons



B	T	Interface	I (A)	U (kV)	Stk/EP	Ref.
A	AMV-C-K430CP(1)	C1 – C430	630	24	3	10196375
B	AMV-C-K400CP-SC(1)	C1 – C1	630	24	3	10153820
C	AMV-C-K440CP(1)	C2 – C2	1250	24	3	10153823
D	AMV-C-K400RTPA(1)	C1 – A1	250	24	3	10153821
B	AMV-C-M400CP-SC(1)	C1 – C1	630	36	3	10198541
C	AMV-C-M440CP(1)	C2 – C2	1250	36	3	10153826

SPANNUNGSFESTE ABSCHLUSSKAPPE CAPUCHON ISOLANT

Berührungssicher / Protection contre les contacts accidentels

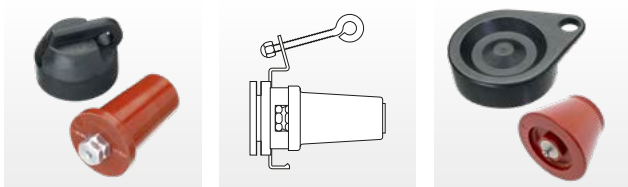


B	T	Interface	U (kV)	Stk/EP	Ref.
A	AMV-C-K400DR-BG(1)	C	24	1	10153841
A	AMV-C-M400DR-BG(1)	C	36	1	10192768
B	AMV-C-M480BEG	C	36	1	10542005
C	AMV-C-M480BEG/ISOLATION(1)	C	36	1	10542009

ISOLIERABSCHLUSS PLOT ISOLANT FIXE

AMV-C 13

Berührungssicher / Protection contre les contacts accidentels



A

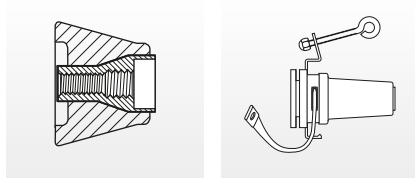
B

C

B T	Interface	U (kV)	Stk/EP	Ref.
A AMV-C-K400BIPA(1)	C400	24	1	10153845
A AMV-C-M400BIPA(1)	C400	36	1	20158462
B AMV-C-K400SOP-B(1)	C400	24	1	10153846
B AMV-C-M400SOP-B(1)	C400	36	1	10153849
C AMV-C-M800BIPA(3)	C800	36	3	10501598

ERDANSCHLUSS PLOT DE MISE À TERRE

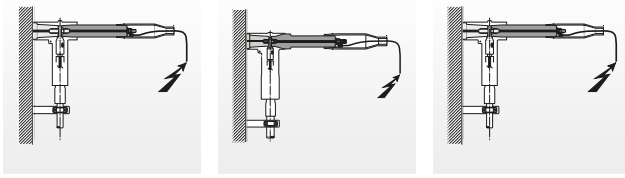
Berührungssicher / Protection contre les contacts accidentels



A

B

B T	Interface	Stk/EP	Ref.
AMV-C-300GP-B(1)	C430	1	10224313
B AMV-C-400GP(1)	C400	1	10153844
A AMV-C-800GP(1)	C800	1	10504428



A

B

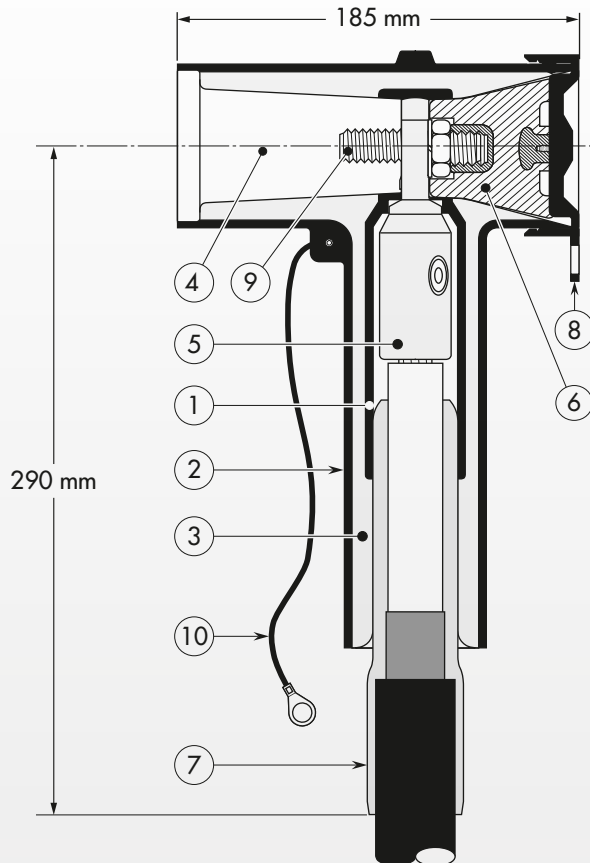
C

B	T	Zu/pour	Stk/EP	Ref.
A	AMV-C-TR400(1)	430TB,300PB,434TB, 400TB,400TE, 440TB	1	10153840
B	AMV-C-TR400/LB(1)	400LB	1	10153843
C	AMV-C-TR484(1)	480TB, 800PB, 484TB, 804PB, 800SA	1	10221721

TEE CONNECTOR AMV-C (K)(M) 480TB

UP TO 42 KV 630 A -1250 A

AMV-C 16



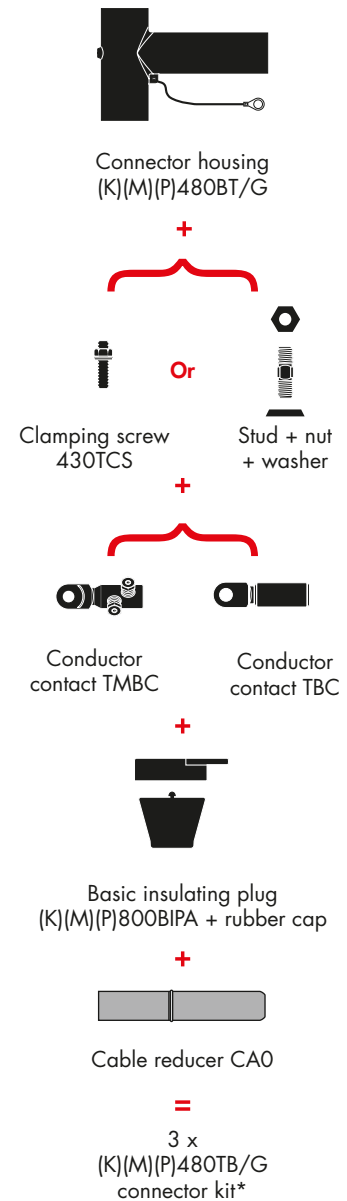
Separable connector type	Voltage U_m (kV)	Current I_r (A)	Current I_r (A) <small>When using a copper (CU-2) or a bolted (UN-5) conductor contact</small>	Conductor sizes (mm ²)	
				min.	max.
AMV-C-480TB/G	12	630	1250	35	300
AMV-C-K480TB/G	24	630	1250	35	300
AMV-C-M480TB/G	36	630	1250	50	300
AMV-C-P480TB/G	42	630	1250	50	300

Separable connector comprising:

- | | |
|--|--|
| ① Conductive EPDM insert. | ⑤ Conductor contact. |
| ② Conductive EPDM jacket. | ⑥ Basic insulating plug (with VD point). |
| ③ Insulating EPDM layer moulded between the insert and the jacket. | ⑦ Cable reducer. |
| ④ Type C interface as described by CENELEC EN 50180 and 50181. | ⑧ Conductive rubber cap. |
| | ⑨ Clamping screw. |
| | ⑩ Earthing lead. |

Ordering instructions

The complete (K)(M)(P)480TB/G tee connector kit comprises 3x the following components:

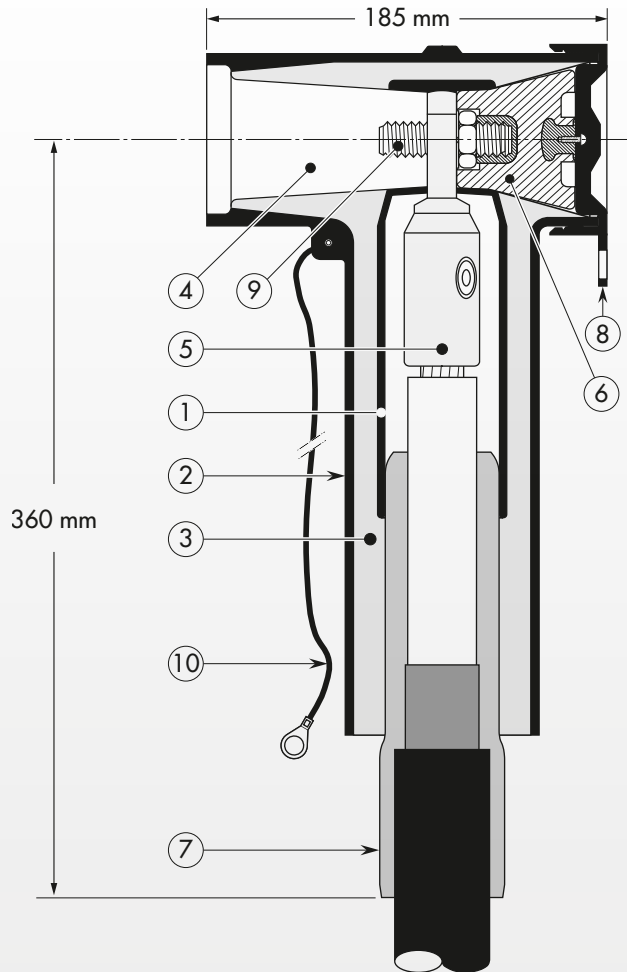


* The kit also comprises silicone grease, field control mastic, installation rod, gloves, wipers, roll adhesive tape, installation instructions and crimp chart.

TEE CONNECTOR AMV-C (K)(M) 484TB

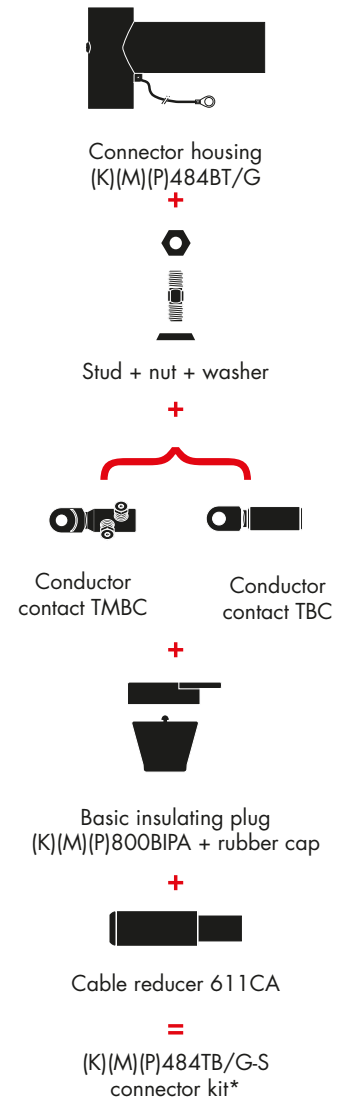
UP TO 42 KV 630 A -1250 A

AMV-C 17



Ordering instructions

The complete (K)(M)(P)484TB/G tee connector kit comprises 3x the following components:



Separable connector type	Voltage Um (kV)	Current Ir (A)	Conductor sizes (mm ²)	
			min.	max.
AMV-C-484TB/G	12	1250	50	630
AMV-C-K484TB/G	24	1250	35	630
AMV-C-M484TB/G	36	1250	35	630
AMV-C-P484TB/G	42	1250	35	630

Separable connector comprising:

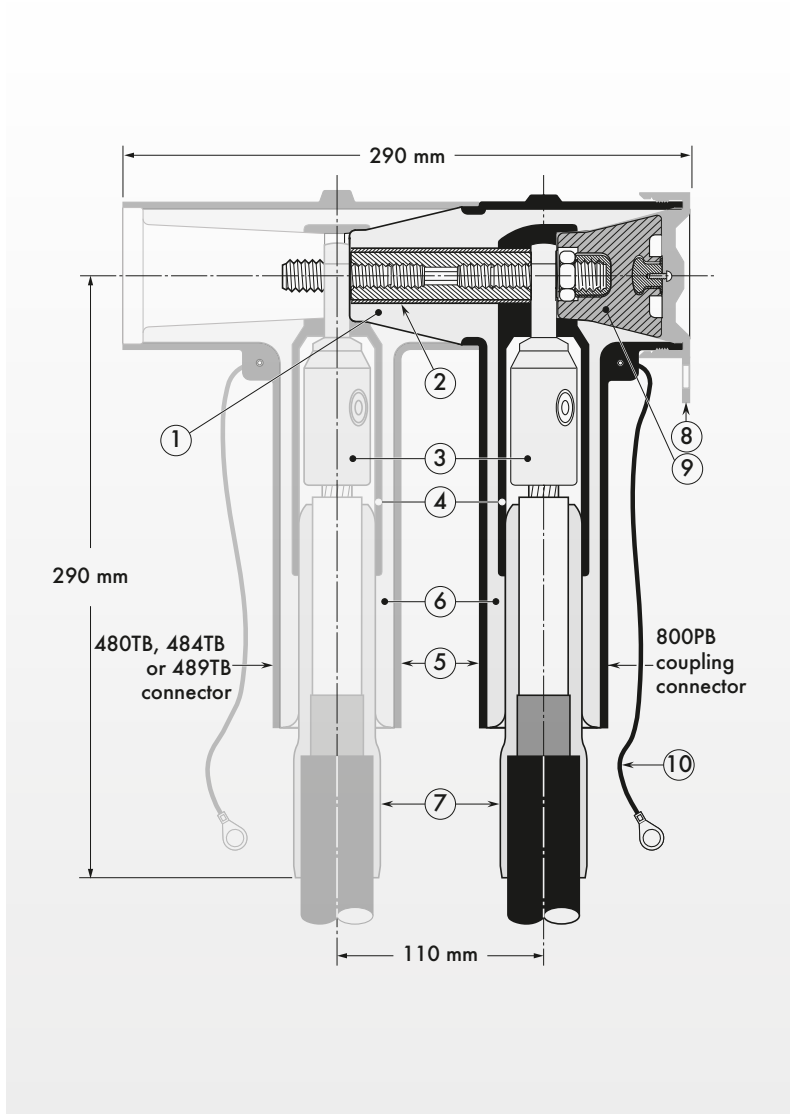
- ① Conductive EPDM insert.
- ② Conductive EPDM jacket.
- ③ Insulating EPDM layer moulded between the insert and the jacket.
- ④ Type C - interface as described by CENELEC EN 50180 and 50181.
- ⑤ Conductor connector.
- ⑥ Basic insulating plug (with VD point).
- ⑦ Cable reducer.
- ⑧ Conductive rubber cap.
- ⑨ Stud+nut+washer.
- ⑩ Earthing lead.

* The kit also comprises silicone grease, field control mastic, gloves, roll adhesive tape, installation instructions and crimp chart.

COUPLING CONNECTOR AMV-C (K)(M) 800PB

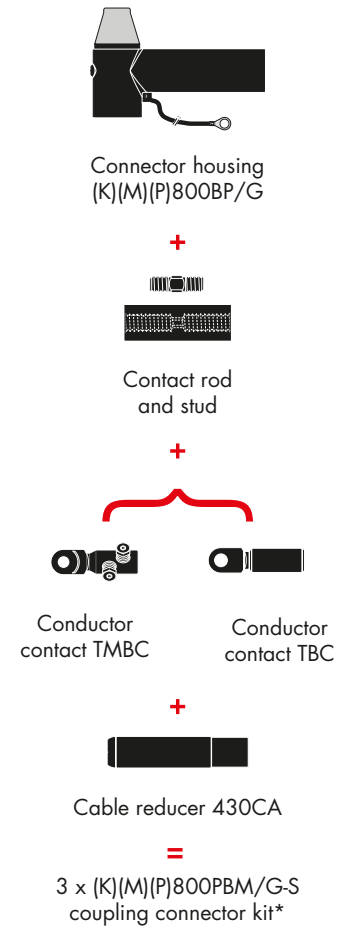
UP TO 42 KV 630 A - 1250 A

AMV-C 18



Ordering instructions

The complete (K)(M)(P) 800PB/G coupling connector kit comprises 3x the following components:



Separable connector type	Voltage U_m (kV)	Current I_r (A)	Current I_r (A) When using a copper (CU-2) or a bolted (UN-5) conductor contact	Conductor sizes (mm ²)	
				min.	max.
AMV-C-800PB/G	12	630	1250	35	300
AMV-C-K800PB/G	24	630	1250	35	300
AMV-C-M800PB/G	36	630	1250	50	300
AMV-C-P800PB/G	42	630	1250	50	300

Separable connector comprising:

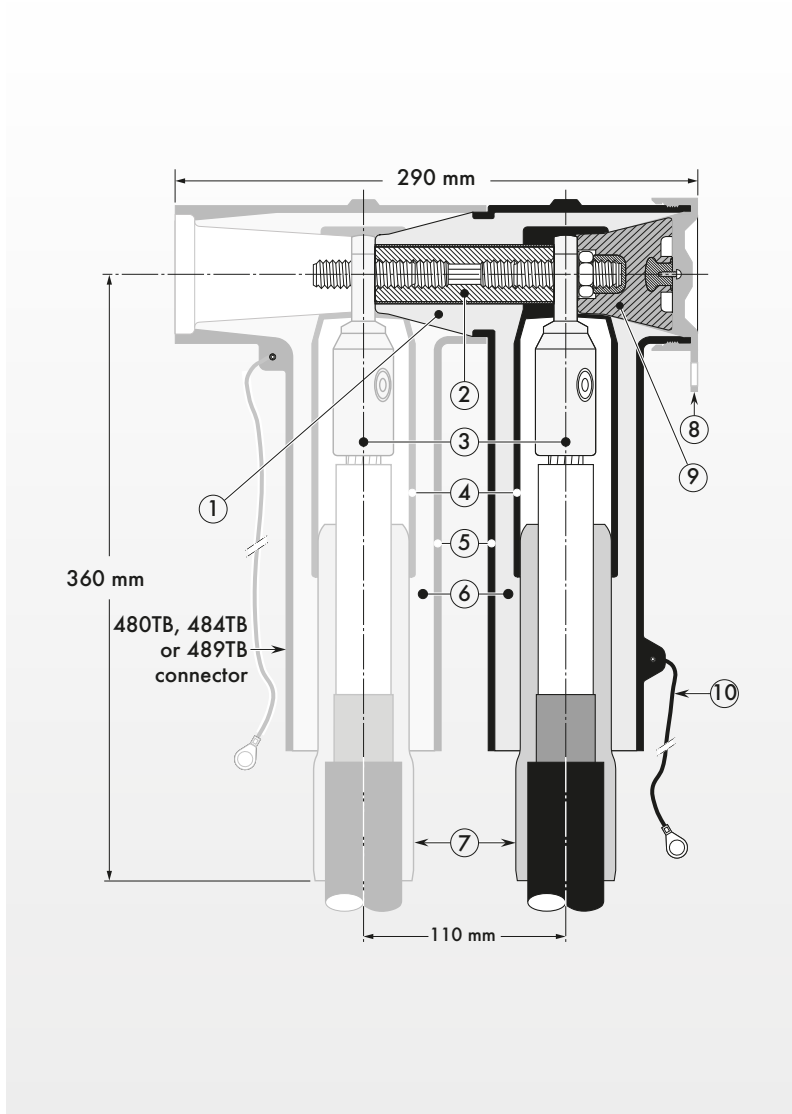
- ① Interface designed to fit 480TB, 484TB and 489TB connectors.
- ② Contact rod.
- ③ Conductor contact.
- ④ Conductive EPDM insert.
- ⑤ Conductive EPDM jacket.
- ⑥ Insulating EPDM layer moulded between the insert and the jacket.
- ⑦ Cable reducer.
- ⑧ Conductive EPDM cap.
- ⑨ Basic insulating plug (with VD point).
- ⑩ Earthing lead.

* The kit also comprises silicone grease, field control mastic, installation rod, gloves, wipers, roll adhesive tape, installation instructions and crimp chart.

COUPLING CONNECTOR AMV-C (K)(M) 804PB

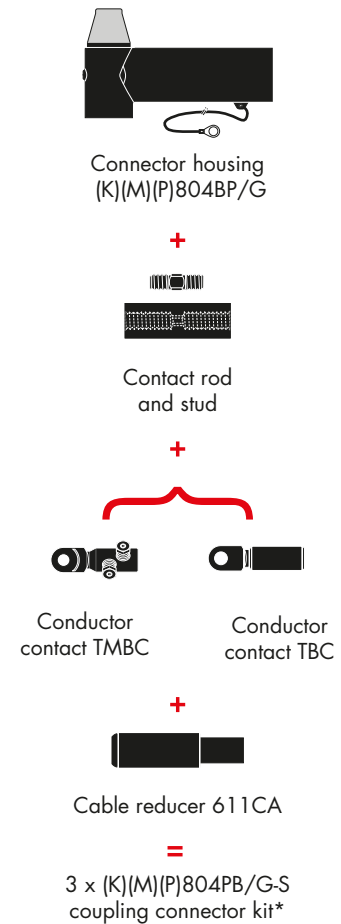
UP TO 42 KV - 1250 A

AMV-C 19



Ordering instructions

The complete (K)(M)(P)804PB/G coupling connector kit comprises 3 x the following components:



Separable connector type	Voltage Um (kV)	Current Ir (A)	Conductor sizes (mm ²)	
			min.	max.
AMV-C-804PB/G	12	1250	50	630
AMV-C-K804PB/G	24	1250	35	630
AMV-C-M804PB/G	36	1250	35	630
AMV-C-P804PB/G	42	1250	35	630

Separable connector comprising:

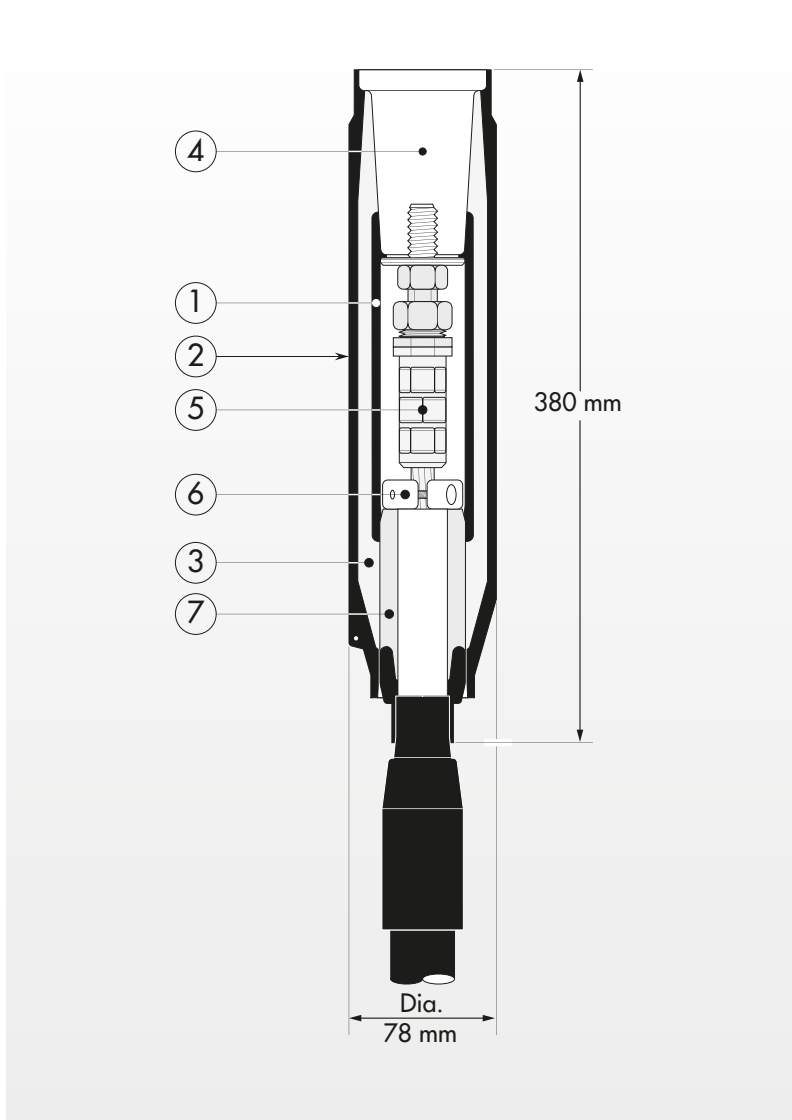
- ① Interface designed to fit 480TB, 484TB and 489TB connector.
- ② Bus for 804PB.
- ③ Conductor connector (hexagonal crimping, deep indent crimping or bolted).
- ④ Conductive EPDM insert.
- ⑤ Conductive EPDM jacket.
- ⑥ Insulating EPDM layer moulded between the insert and the jacket.
- ⑦ Cable reducer.
- ⑧ Conductive EPDM cap.
- ⑨ Basic insulating plug (with VD point).
- ⑩ Earth lead.

* The kit also comprises silicone grease, field control mastic, gloves, roll adhesive tape, installation instructions and crimp chart.

STRAIGHT CONNECTOR AMV-C (K) 450SR

UP TO 24 KV - 630 A

AMV-C 20



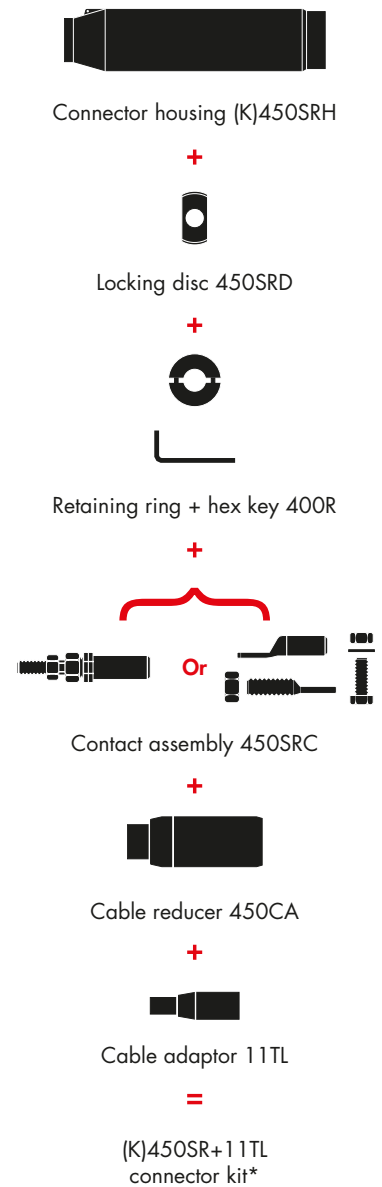
Separable connector type	Voltage Um (kV)	Current Ir (A)	Conductor sizes (mm ²)	
			min.	max.
AMV-C-450SR/G	12	630	50	300
AMV-C-K450SR/G	24	630	35	300

Separable connector comprising:

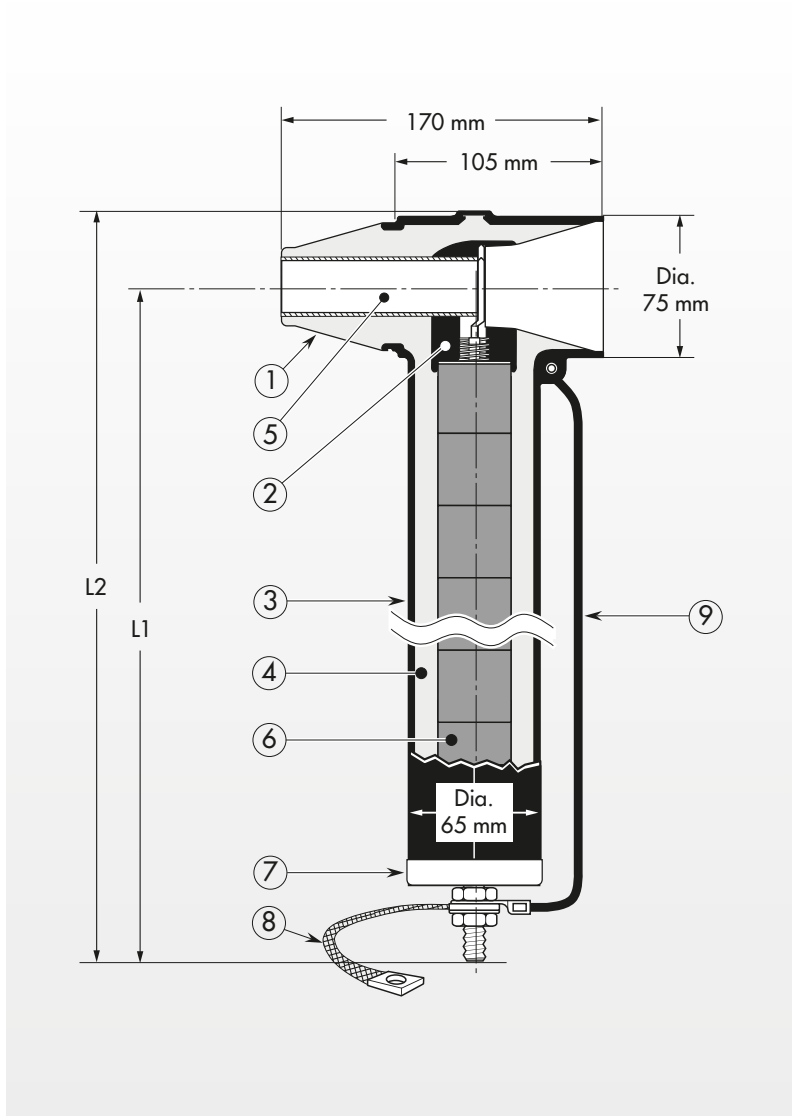
- ① Conductive EPDM insert.
- ② Conductive EPDM jacket.
- ③ Insulating EPDM layer moulded between the insert and the jacket.
- ④ Type C - 630 A interface as described by CENELEC EN 50180 and 50181.
- ⑤ Conductor connector assembly.
- ⑥ Retaining ring.
- ⑦ Cable reducer.

Ordering instructions

The complete (K)450SR straight connector kit comprises the following components:



* The kit also comprises lubricant, wipers, installation instructions and crimp chart.



Application

Surge arrester designed to protect 12, 24, 36 and 42 kV class components, including transformers, equipment, cable and accessories from high voltage surges resulting from lightning or switching. It has been designed to be used with the 480TB, 484TB and 489TB separable tee connectors.

Technical characteristics

- This surge arrester is a metal oxide varistor surge arrester in an elbow configuration.
- Each arrester is tested for AC withstand, partial discharge and critical voltage prior to leaving the factory.

Ordering instructions

To order the surge arrester, specify the surge arrester type, as described on previous page.

Example:

For a maximum continuous operating voltage (r.m.s.) of 24 kV and a nominal discharge current of 10 kA.

Order a 800SA-10-30N surge arrester.

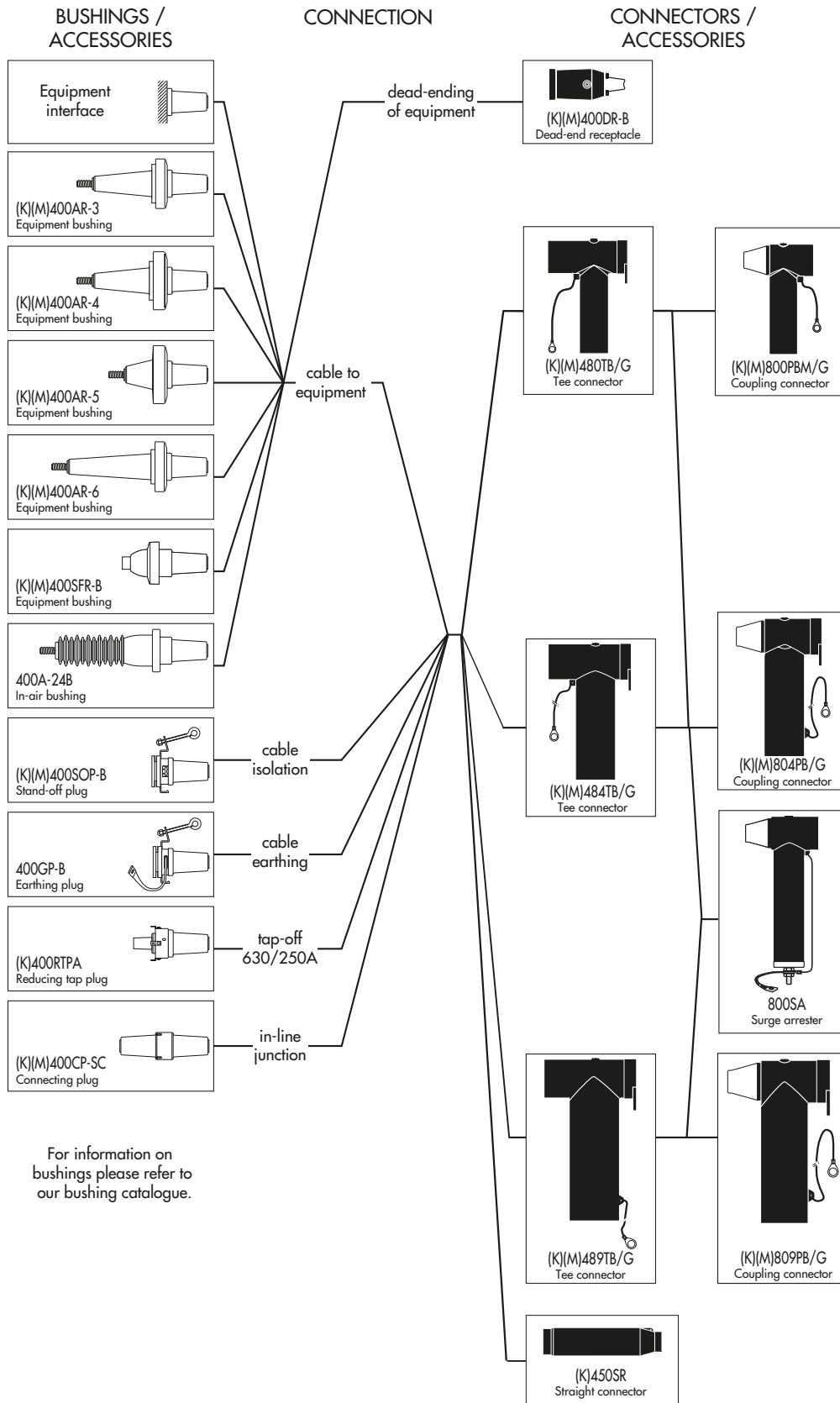
Specifications and standards

The 800SA surge arresters meet the test requirements of IEC 60099-4.

Surge arrester type	Nominal discharge current In (kA)	Rated voltage Ur (kV)	Max continuous operating voltage Uc (kV)	Dimensions (mm)	
				L1	L2
AMV-C-800SA-10-6N	10	6	4.8	270	310
AMV-C-800SA-10-9N	10	9	7.2	270	310
AMV-C-800SA-10-12N	10	12	9.6	270	310
AMV-C-800SA-10-15N	10	15	12.0	270	310
AMV-C-800SA-10-18N	10	18	14.4	270	310
AMV-C-800SA-10-22N	10	22	17.6	270	310
AMV-C-800SA-10-24N	10	24	19.2	370	410
AMV-C-800SA-10-30N	10	30	24.0	370	410
AMV-C-800SA-10-33N	10	33	26.4	370	410
AMV-C-800SA-10-36N	10	36	28.8	370	410
AMV-C-800SA-10-45N	10	45	36.0	470	510
AMV-C-800SA-10-51N	10	51	40.8	470	510

Separable connector comprising:

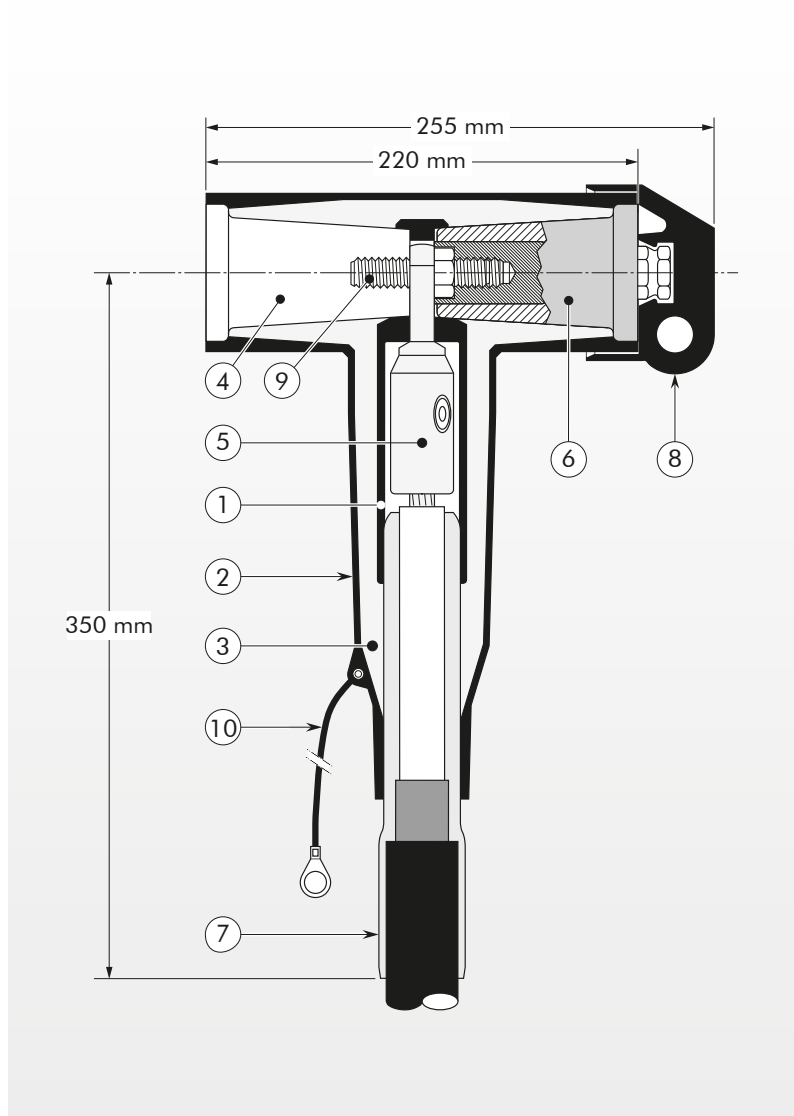
- ① Interface designed to fit the 484TB and 489TB tee connector.
- ② Conductive EPDM insert.
- ③ Conductive EPDM jacket.
- ④ Insulating EPDM layer moulded between the insert and the jacket.
- ⑤ Receptacle for contact rod.
- ⑥ Metal oxide valve elements.
- ⑦ Steel cap.
- ⑧ Earth connection.
- ⑨ Earth lead.



TEE CONNECTOR AMV-C (K)(M) 400TB

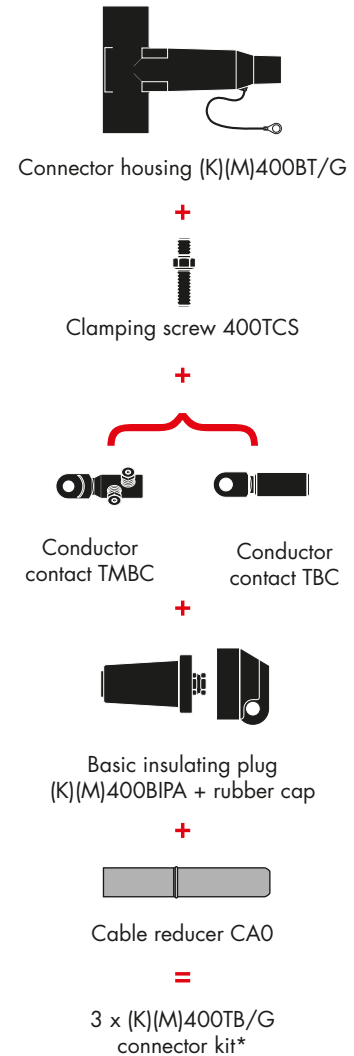
UP TO 42 KV 630 A - 800 A

AMV-C 23



Ordering instructions

The complete (K)(M)430TB/G tee connector kit comprises 3x the following components:



Separable connector type	Voltage U_m (kV)	Current I_r (A)	Current I_r (A) <small>When using a copper (-11-2) or a bolted (14-5) conductor contact</small>	Conductor sizes (mm ²)	
				min.	max.
AMV-C-400TB/G	12	630	800	35	300
AMV-C-K400TB/G	24	630	800	35	300
AMV-C-M400TB/G	36	630	800	50	240
AMV-C-P400TB/G	42	630	800	50	240

Separable connector comprising:

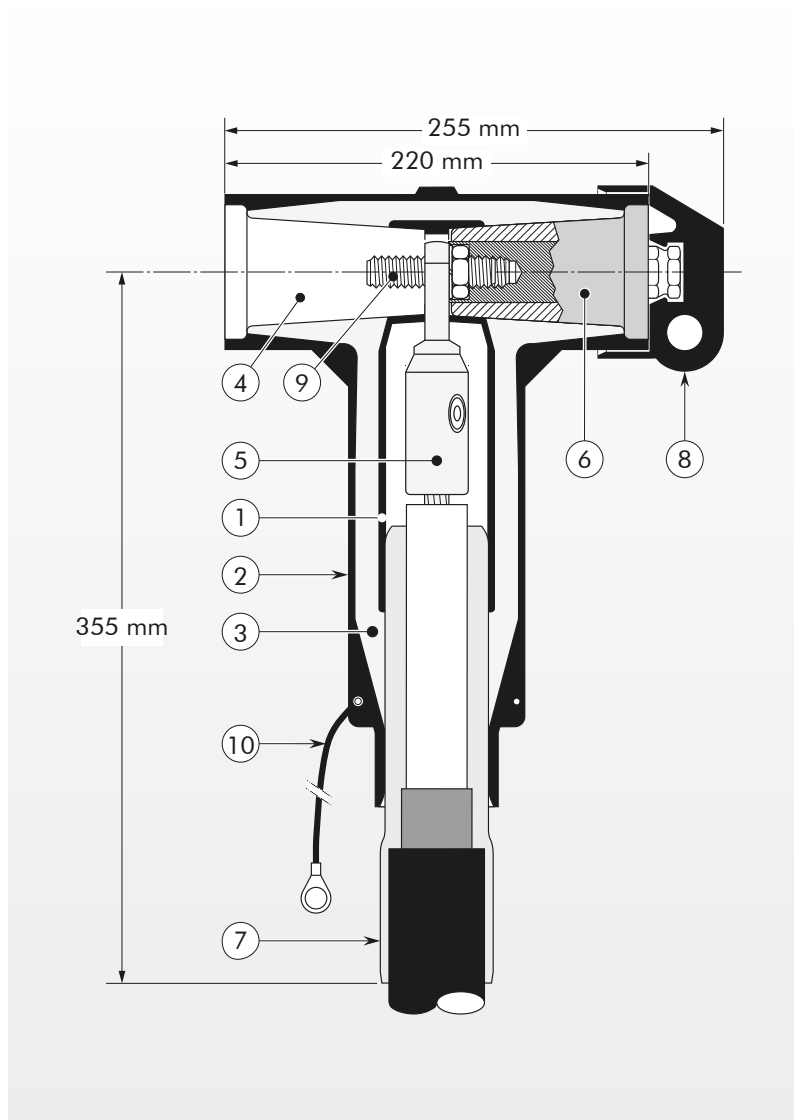
- ① Conductive EPDM insert.
- ② Conductive EPDM jacket.
- ③ Insulating EPDM layer moulded between the insert and the jacket.
- ④ Type C interface as described by CENELEC EN 50180 and 50181.
- ⑤ Conductor connector.
- ⑥ Basic insulating plug (with VD point).
- ⑦ Cable reducer.
- ⑧ Conductive rubber cap.
- ⑨ Clamping screw.
- ⑩ Earthing lead.

* The kit also comprises silicone grease, field control mastic, installation rod, installation instructions and crimp chart.

TEE CONNECTOR AMV-C (K)(M) 440TB

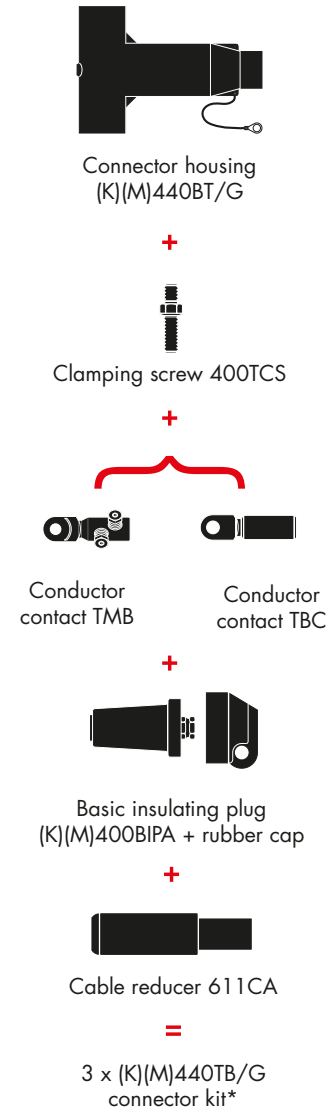
UP TO 42 KV 800 A

AMV-C 24



Ordering instructions

The complete (K)(M)(P)804PB/G coupling connector kit comprises 3 x the following components:

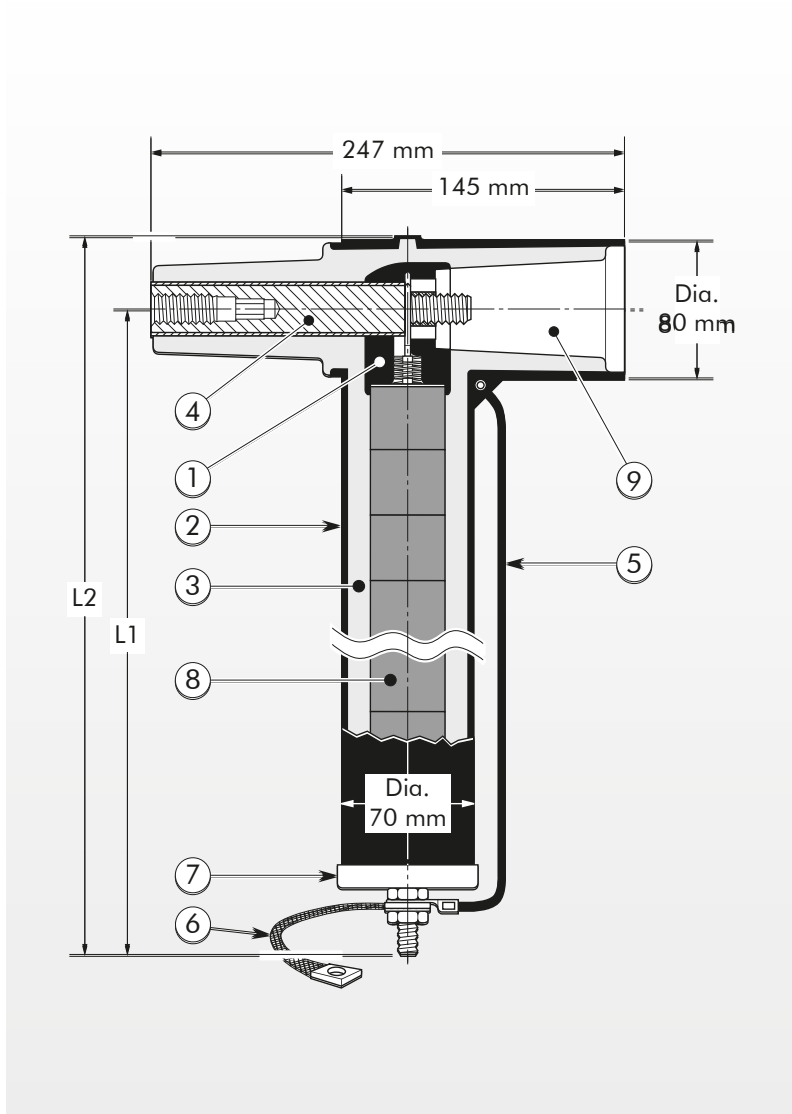


Separable connector type	Voltage Um (kV)	Current Ir (A)	Conductor sizes (mm ²)	
			min.	max.
AMV-C-440TB/G	12	1250	185	630
AMV-C-K440TB/G	24	1250	185	630
AMV-C-M440TB/G	36	1250	185	630
AMV-C-P440TB/G	42	1250	185	630

Separable connector comprising:

- | | |
|--|---|
| ① Interface designed to fit 430TB connector. | ⑥ Conductive EPDM cap. |
| ② Bus for 300PBM. | ⑦ Basic insulating plug (with VD point). |
| ③ Conductive EPDM insert. | ⑧ Conductor connector (hexagonal crimping, deep indent crimping or bolted). |
| ④ Insulating EPDM layer moulded between the insert and the jacket. | ⑨ Cable reducer. |
| ⑤ Conductive EPDM jacket. | ⑩ Earthing lead. |

* The kit also comprises silicone grease, field control mastic, gloves, roll adhesive tape, installation instructions and crimp chart.



Application

Surge arrester designed to protect 12, 24 and 36 kV class components, including transformers, equipment, cable and accessories from high voltage surges resulting from lightning or switching. It has been designed to be used with the 430TB separable tee connector.

Technical characteristics

- This surge arrester is a metal oxide varistor surge arrester in an elbow configuration.
- Each arrester is tested for AC withstand, partial discharge and critical voltage prior to leaving the factory.

Ordering instructions

To order the surge arrester, specify the surge arrester type, as described on previous page.

Example:

For a maximum continuous operating voltage (r.m.s.) of 24 kV and a nominal discharge current of 10 kA.

Order a 300SA-10-30N surge arrester.

Specifications and standards

The 300SA surge arresters meet the test requirements of IEC 60099-4.

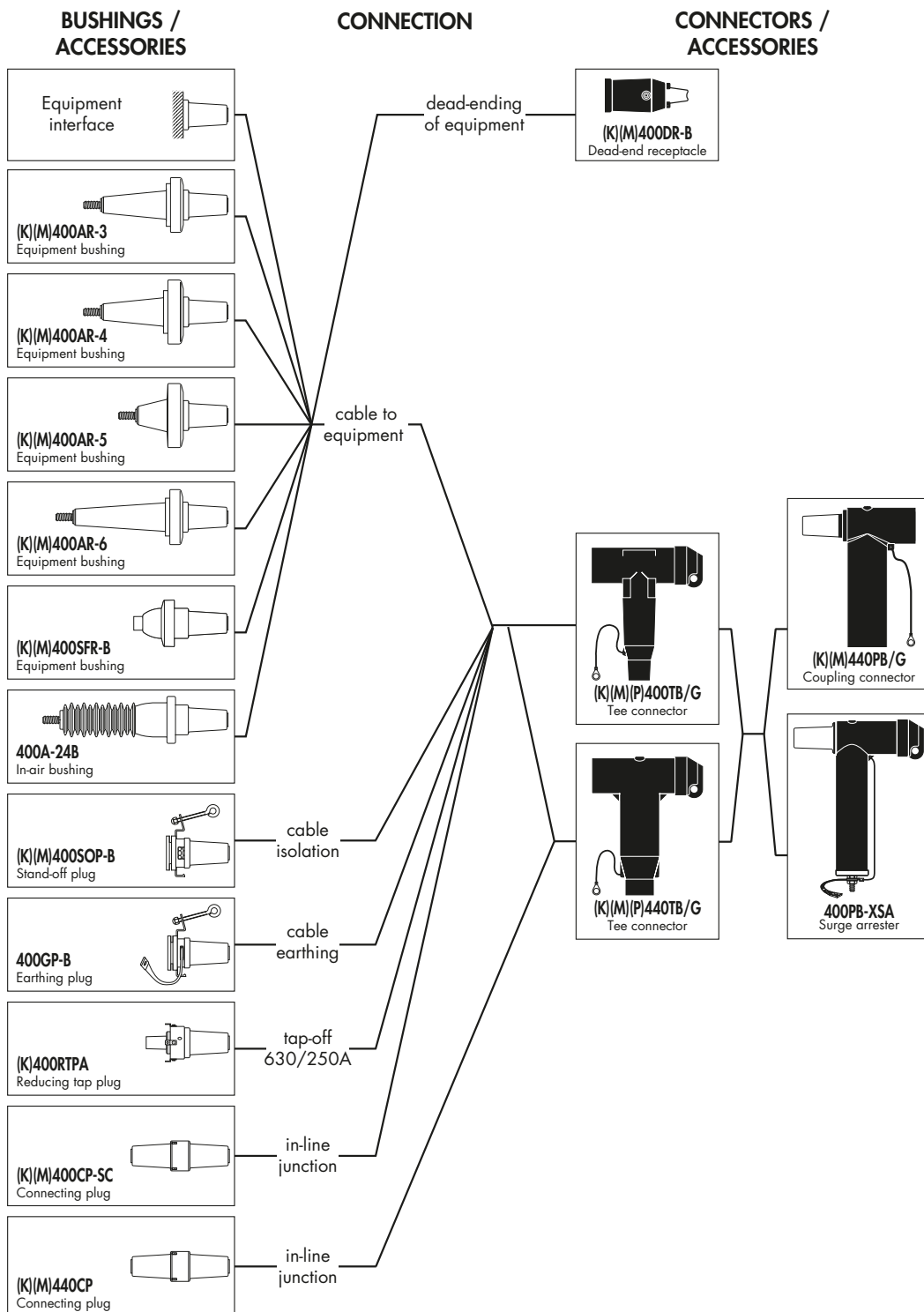
Surge arrester type	Nominal discharge current In (kA)	Rated voltage Ur (kV)	Max continuous operating voltage Uc (kV)	Dimensions (mm)	
				L1	L2
AMV-C-400SA-10-6N	10	6	4.8	270	310
AMV-C-400SA-10-9N	10	9	7.2	270	310
AMV-C-400SA-10-12N	10	12	9.6	270	310
AMV-C-400SA-10-15N	10	15	12.0	270	310
AMV-C-400SA-10-18N	10	18	14.4	270	310
AMV-C-400SA-10-22N	10	22	17.6	270	310
AMV-C-400SA-10-24N	10	24	19.2	370	410
AMV-C-400SA-10-30N	10	30	24.0	370	410
AMV-C-400SA-10-33N	10	33	26.4	370	410
AMV-C-400SA-10-36N	10	36	28.8	370	410
AMV-C-400SA-10-45N	10	45	36.0	470	510
AMV-C-400SA-10-51N	10	51	40.8	470	510

Separable connector comprising:

- ① Interface designed to fit the 430TB tee connector.
- ② Conductive EPDM insert.
- ③ Conductive EPDM jacket.
- ④ Insulating EPDM layer moulded between the insert and the jacket.
- ⑤ Receptacle for contact rod.
- ⑥ Metal oxide valve elements.
- ⑦ Steel cap.
- ⑧ Earth connection.
- ⑨ Earth lead.

Kontakt / Contact

Nexans Suisse SA CH-2016 Cortaillod ☎ +41 (0)32 843 55 55 ✉ mv_lvpoweraccessories.ch@nexans.com



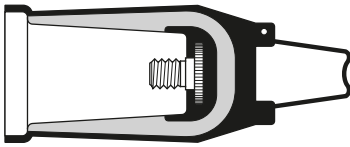
For information on bushings please refer to our bushing catalogue.

Application

For use with connectors and bushings with an interface C as described by CENELEC EN 50180 and 50181.

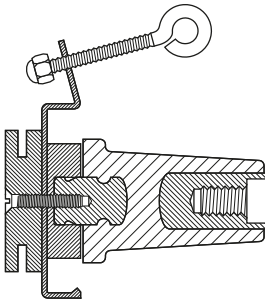
Technical characteristics

All these products, except the earthing plugs, are tested for AC withstand and partial discharge prior to leaving the factory.



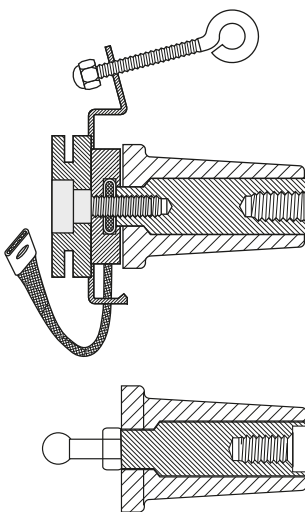
400DR-B/G
DEAD-END RECEPTACLE

Fits over a bushing with a type C interface to provide 'dead-end' facility. The dead-end receptacle is supplied with an earth lead.



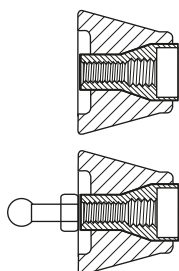
400SOP-B
STAND-OFF PLUG

Is designed to support and 'dead-end' connectors with a type C interface when removed from equipment.



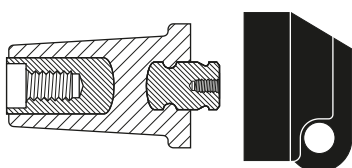
400GP-B
EARTHING PLUG

Is designed to support and earth connectors with a type C interface when removed from equipment.



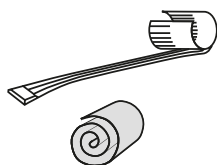
**800GP-B
EARTHING PLUG**

Is designed to earth the 484TB and 804PB connectors when it is fixed-mounted to the equipment (maintenance earthing).



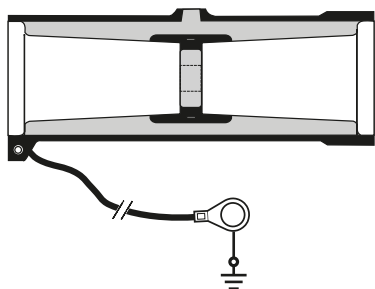
**400BIPA
BASIC INSULATING PLUG**

Acts as a tightening nut for the 400TB and 440TB tee connector kits. The plug contains a voltage detection point. The conductive rubber protection cap is included.



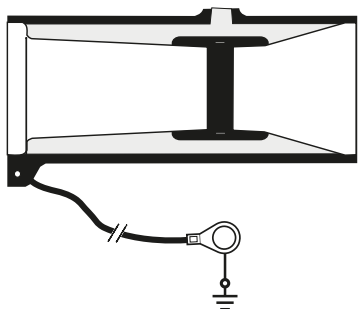
**KIT025 MT
EARTHING KIT FOR COPPER AND
ALUMINUM TAPE SCREENED CABLES**

Contains a tinned copper braid (25 mm² - L = 500 mm), a tinned copper wire for cleaning and some water sealing mastic.



**400BE/G
BUSHING EXTENDER**

Provides an extension piece to allow cables to stand away from equipment. Is used in conjunction with the 400CP, 440CP or 440PB. The bushing extender is supplied with an earth lead.

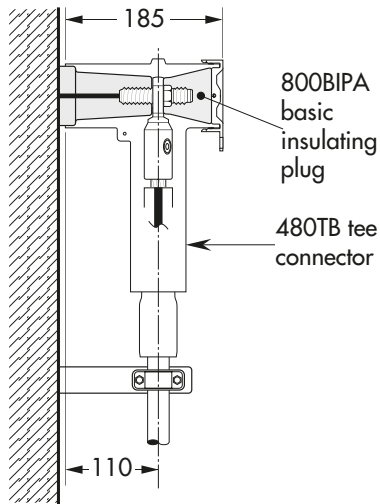


**480BE/G
BUSHING EXTENDER**

Provides an extension piece to allow cables to stand away from equipment. Is used in conjunction with the 800PB, 804PB or 809PB. The bushing extender is supplied with an earth lead.

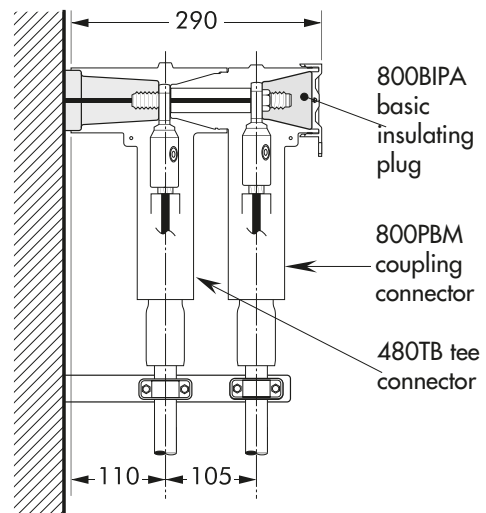
480TB

Single cable arrangement.
 Order 480TB for 12 kV,
 K480TB for 24 kV, M480TB for 36 kV or
 P480TB for 42 kV applications.



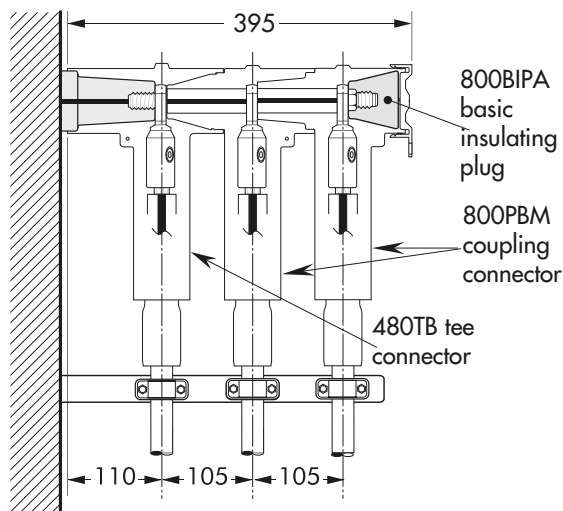
480TB-P2

Dual cable arrangement.
 Order 480TB-P2 for 12 kV,
 K480TB-P2 for 24 kV, M480TB-P2 for 36
 kV or P480TB-P2 for 42 kV applications.



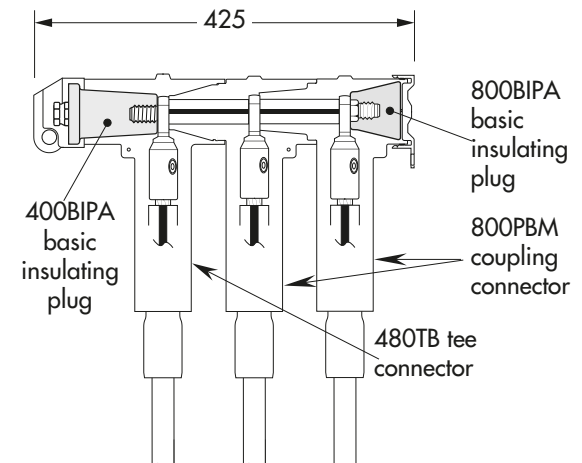
480TB-P3

Triple cable arrangement.
 Order 480TB-P3 for 12 kV,
 K480TB-P3 for 24 kV, M480TB-P3 for 36
 kV or P480TB for 42 kV applications.



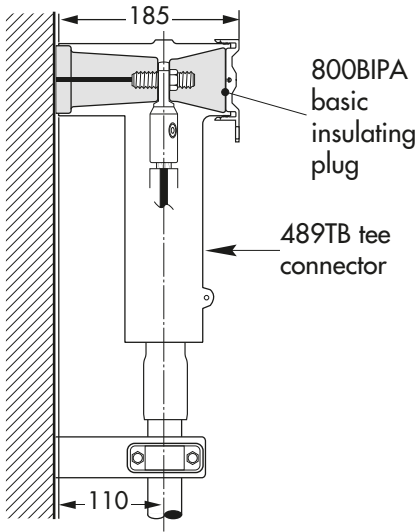
480TB-L3

3-way connection.
 Order 480TB-L3 for 12 kV,
 K480TB-L3 for 24 kV, M480TB-L3 for
 36 kV or P480TB for 42 kV applications.



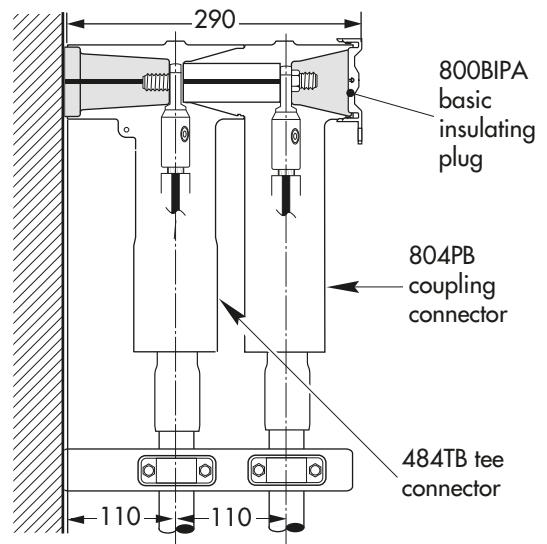
484TB

Single cable arrangement.
 Order 484TB for 12 kV,
 K484TB for 24 kV, M484TB for 36 kV or
 P484TB for 42 kV applications.



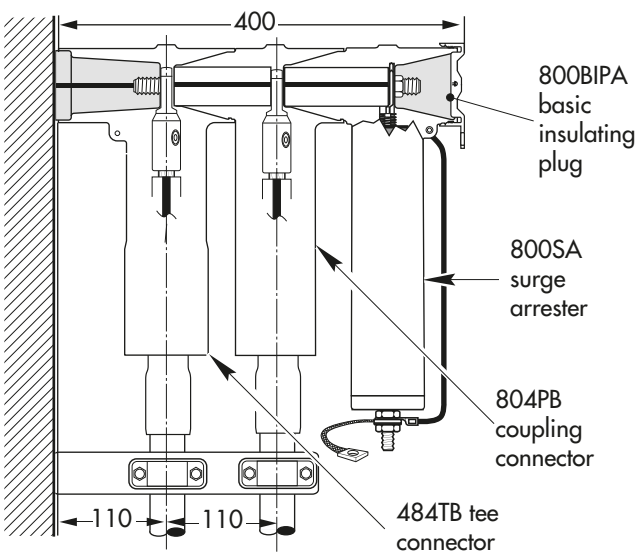
484TB-P2

Dual cable arrangement.
 Order 484TB-P2 for 12 kV,
 K484TB-P2 for 24 kV or M484TB-P2 for 36
 kV or P484TB-P2 for 42kV applications.



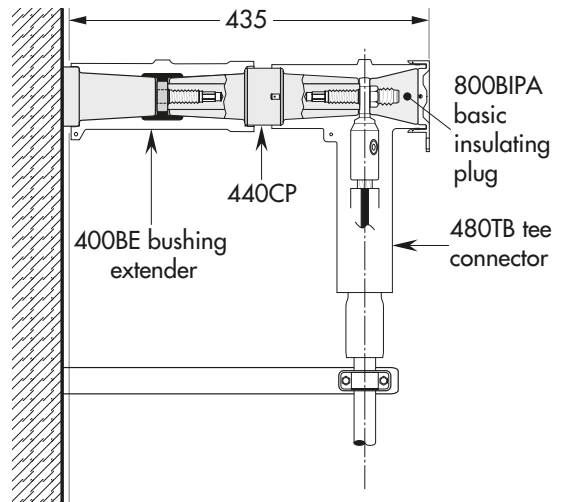
484TB-P2+800SA

Dual cable arrangement with surge arrester.
 Order 484TB-P2+800SA for 12 kV,
 K484TB-P2+800SA for 24 kV, M484TB-
 P2+800SA for 36 kV or P484TB-
 P2+800SA for 42 kV applications.



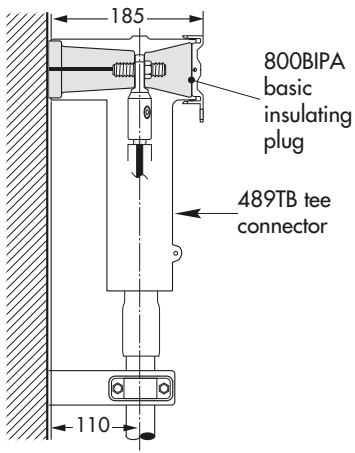
400BE+480TB

Order 400BE+480TB for 12 kV,
 K400BE+480TB for 24 kV or
 M400BE+480TB for 36 kV applications.



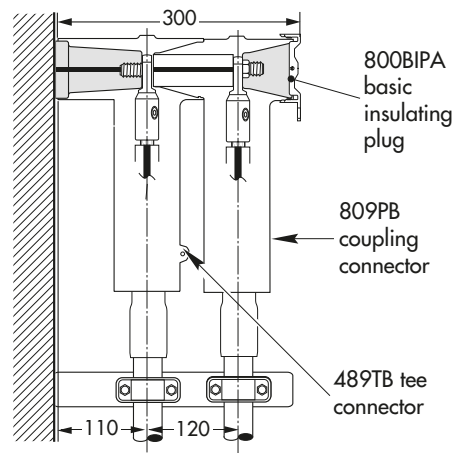
489TB

Single cable arrangement.
 Order 489TB for 12 kV,
 K489TB for 24 kV, M489TB for 36 kV or
 P484TB for 42 kV applications.



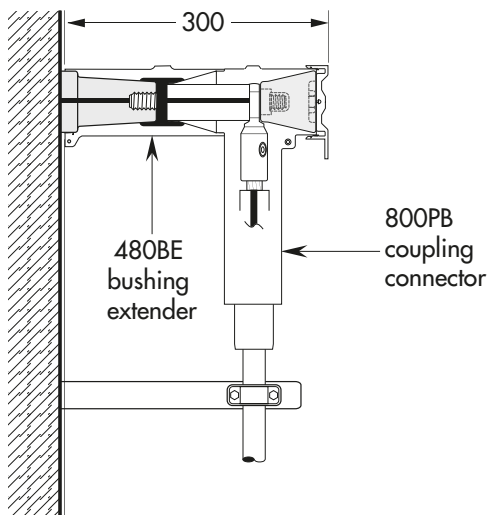
489TB-P2

Dual cable arrangement.
 Order 489TB-P2 for 12 kV,
 K489TB-P2 for 24 kV or M489TB-P2 for 36
 kV or P489TB-P2 for 42kV applications.



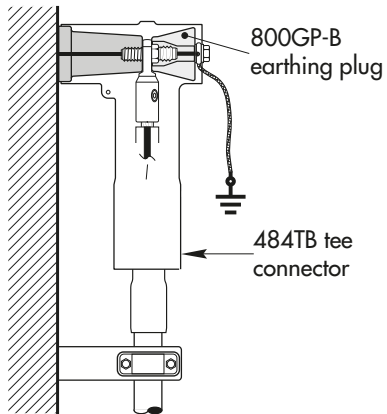
480BE+800PB

Single cable arrangement.
 Order 480BE+800PB for 12
 kV, K480BE+800PB for 24 kV,
 M480BE+800PB for 36 kV or
 P480BE+800PB for 42 kV applications.

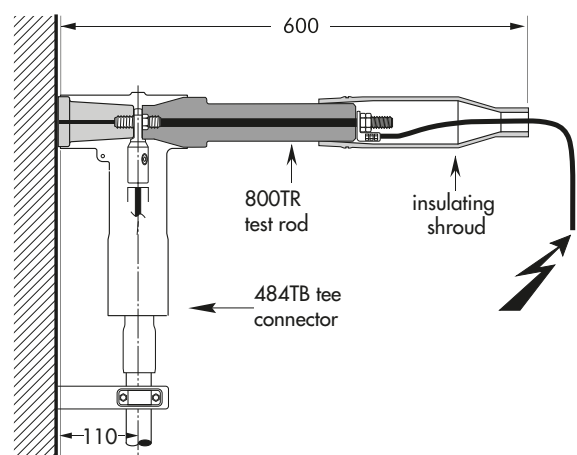
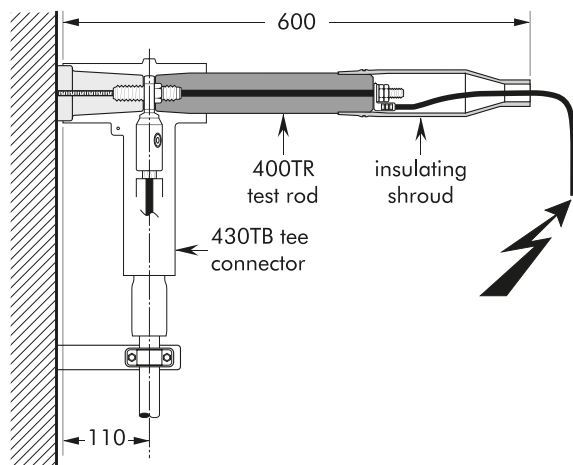


EARTHING PLUG ON CONNECTOR

Order 800GP-B for 12 kV,
24 kV and 36 kV applications.



CABLE AND EQUIPMENT TESTING

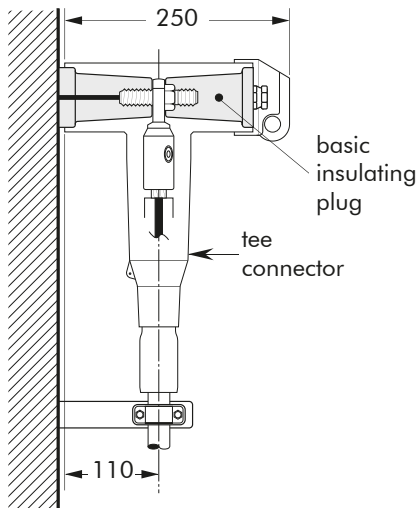


POSSIBLE ARRANGEMENTS
INTERFACE C SYMMETRICAL CONNECTORS

AMV-C 33

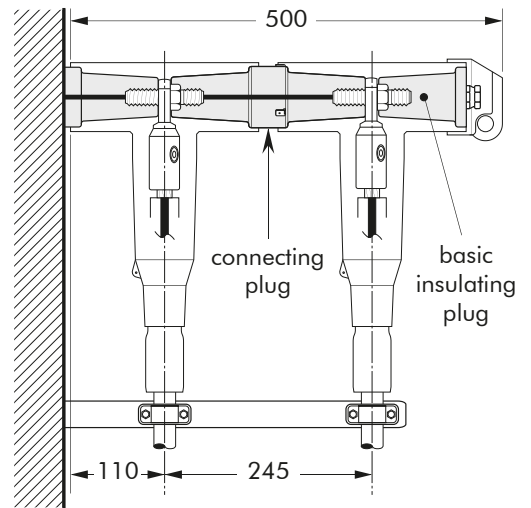
400TB/G

Single cable arrangement.
 Order 400TB/G for 12 kV,
 K400TB/G for 24 kV,
 M400TB/G for 36 kV or P400TB/G for 42
 kV applications.



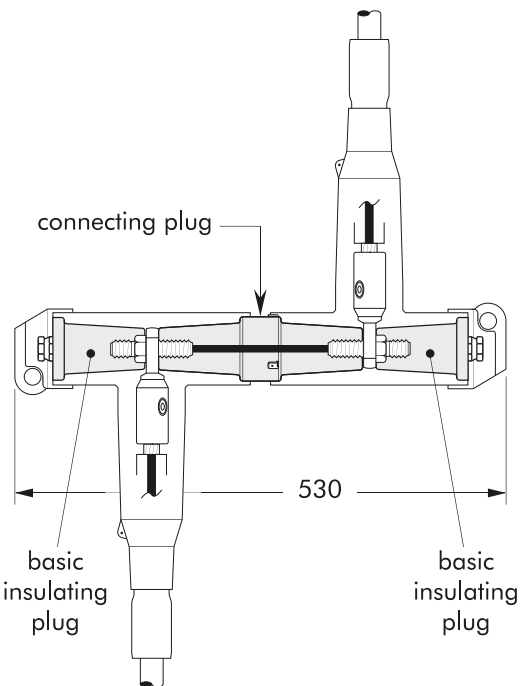
400TB/G-P2

Dual cable arrangement.
 Order 400TB/G-P2 for 12 kV,
 K400TB/G-P2 for 24 kV or M400TB/G-P2
 for 36 kV applications.



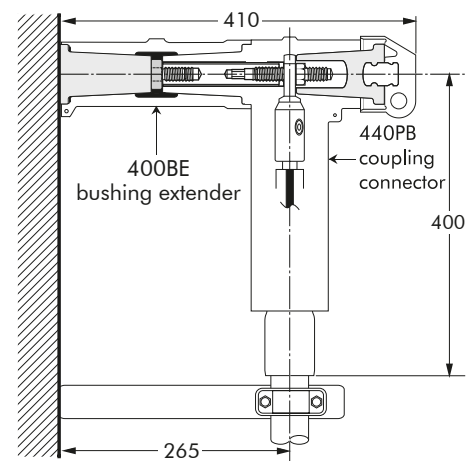
400TB/G-L2

2-way connection.
 Order 400TB/G-L2 for 12 kV,
 K400TB/G-L2 for 24 kV or M400TB/G-L2
 for 36 kV applications.



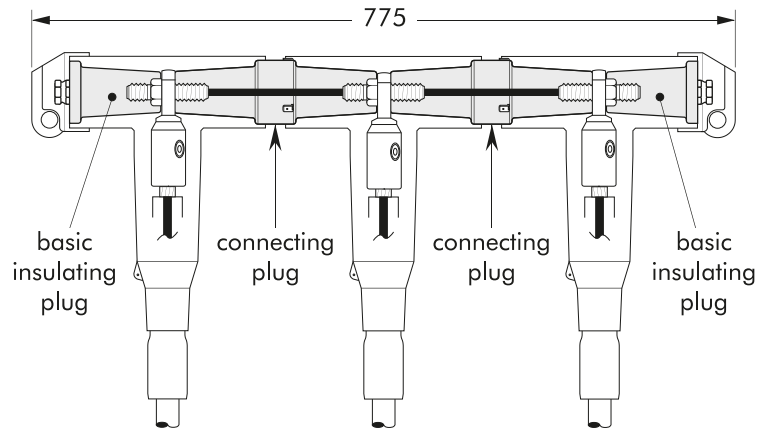
400BE+440PB

Connector standing away from equipment.
 Order 400BE+440PB for 12 kV,
 K400BE+440PB for 24 kV,
 M400BE+440PB for 36 kV or
 P400BE+440PB for 42 kV
 applications.



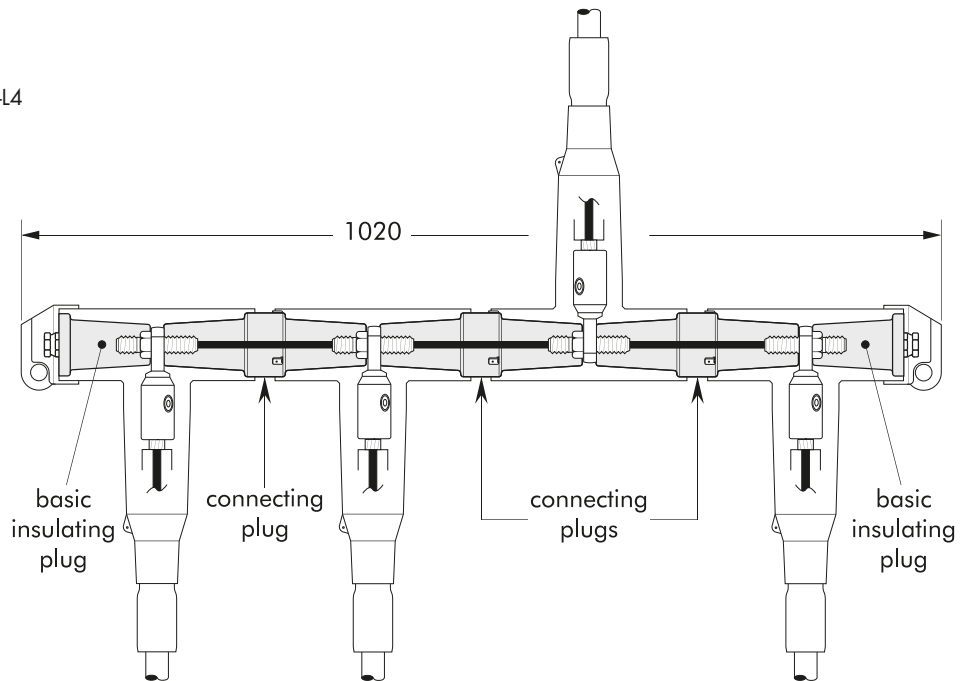
400TB/G-L3

3-way connection.
 Order 400TB/G-L3 for 12 kV,
 K400TB/G-L3 for 24 kV or M400TB/G-L3
 for 36 kV applications.



400TB/G-L4

Disconnectable tap-off.
 Order 400TB/G-L4 for 12 kV,
 K400TB/G-L4 for 24 kV or M400TB/G-L4
 for 36 kV applications.



400TB/G-L5

2-way connection with tap-off.
 Order 400TB/G-L5 for 12 kV or K400TB/
 G-L5 for 24 kV applications.

