

**Metal oxide surge arresters and accessories**



Type: **LVA-280B-BL**

**Application**

Low voltage surge arresters are installed at transitions of LV-ABC lines to underground or service cables and to substations.

The metal-oxide varistors incorporated in the surge arrester reliably protects the insulation of the network and the connected equipment from all kind of surges.

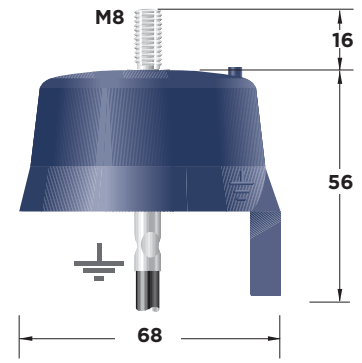
A bundle of installation accessories like insulated line leads and mounting brackets are available to meet the individual requirements.



Type: **LVA-280B-HL**

**Features**

- Incorporated gapless metal-oxide varistor
- Suitable for indoor and outdoor applications
- Sturdy, weatherproof polymer housing ensuring durability even at extreme temperature fluctuations and contamination
- Integrated disconnecter and 1 m line lead as standard accessory
- Housing and lead is flame retardant and UV resistant
- Easy to identify failure indicator
- Large selection of standard accessories



Dimensions: **mm**

- Easy to install
- Tested according to Class II of IEC 61643-1 + Amd.1 / EN 61643-11
- Nominal discharge current  $I_n$  of 10 kA, max. discharge current  $I_{max}$  of 40 kA
- Extremely fast response to steep impulses, high current impulse of 100 kA, 4/10 Qs (IEC 60099-4) is safely handled
- All metal parts made of corrosion resistant aluminium or stainless steel
- Insulated adapters suitable for all piercing connectors designed for tap conductors of 25 mm<sup>2</sup> (insulated conductor diameter of 9 mm)

Technical Data of arrester	LVA-280B	LVA-440B
Continuous voltage ( $U_c$ )	280 V	440 V
Nominal discharge current ( $I_N$ )	10 kA	10 kA
Maximum discharge current ( $I_{max}$ )	40 kA	40 kA
Residual voltage at $I_N$ (Impulse 8/20 Qs)*	1,20 kV	1,80 kV

\* Residual voltage measured with 150 mm ground lead

**Ordering description for surge arresters and accessories**

Continuous Voltage (V)

LVA- 280 B- [ ] [ ]

440 B- [ ] [ ]

Line lead

**L**

Standard Insulated 6 mm<sup>2</sup> Cu earth lead of 1000 mm length

**S**

Optional M6 Wing nut with washer

**A**

Threaded bolt M8 x 16

**B**

Clamp for bare conductors (16 - 120) mm<sup>2</sup>

**C**

Insulated right angle adapter to fit to piercing connectors

**F**

Insulated, flexible line lead to fit to piercing connectors

**H**

Insulated right angle adapter (accessory "C") with piercing connector P2X95 Mk2

**K**

Insulated right angle adapter (accessory "C") with piercing connector P2X150

Other surge arrester accessories are available on request.